

RAPTOR 1:8 GT NITRO

Instruction Manual





SETUP *The default setup proposed in this instruction manual can be considered a pretty good starting point for assembling your RAPTOR GT, but a further fine tuning according to your driving style, type of track and environmental conditions will be a key aspect for preparing a high performance race model.*

INSTRUCTIONS *The exploded views will drive you step by step through the different assembling phases and show all the parts you need.*

SAFETY

This is a highly technical hobby product intended to be used in a safe racing environment.

Only operate this car in a safe environment, like a special racing track or a closed parking lot. Avoid using this car on public roads, crowded places or near infants. Before operating this car, always check the mechanical status of the car. Check that the batteries of the transmitter and receiver are fully charged.

Avoid using this car in wet conditions as the water will cause corrosion on the metal parts and bearings and these parts will cease to function properly. If driven in the wet, ensure that all the electric equipment is waterproofed and after use, that all moving parts are dried immediately.

BAG 1

Parts included in the bag



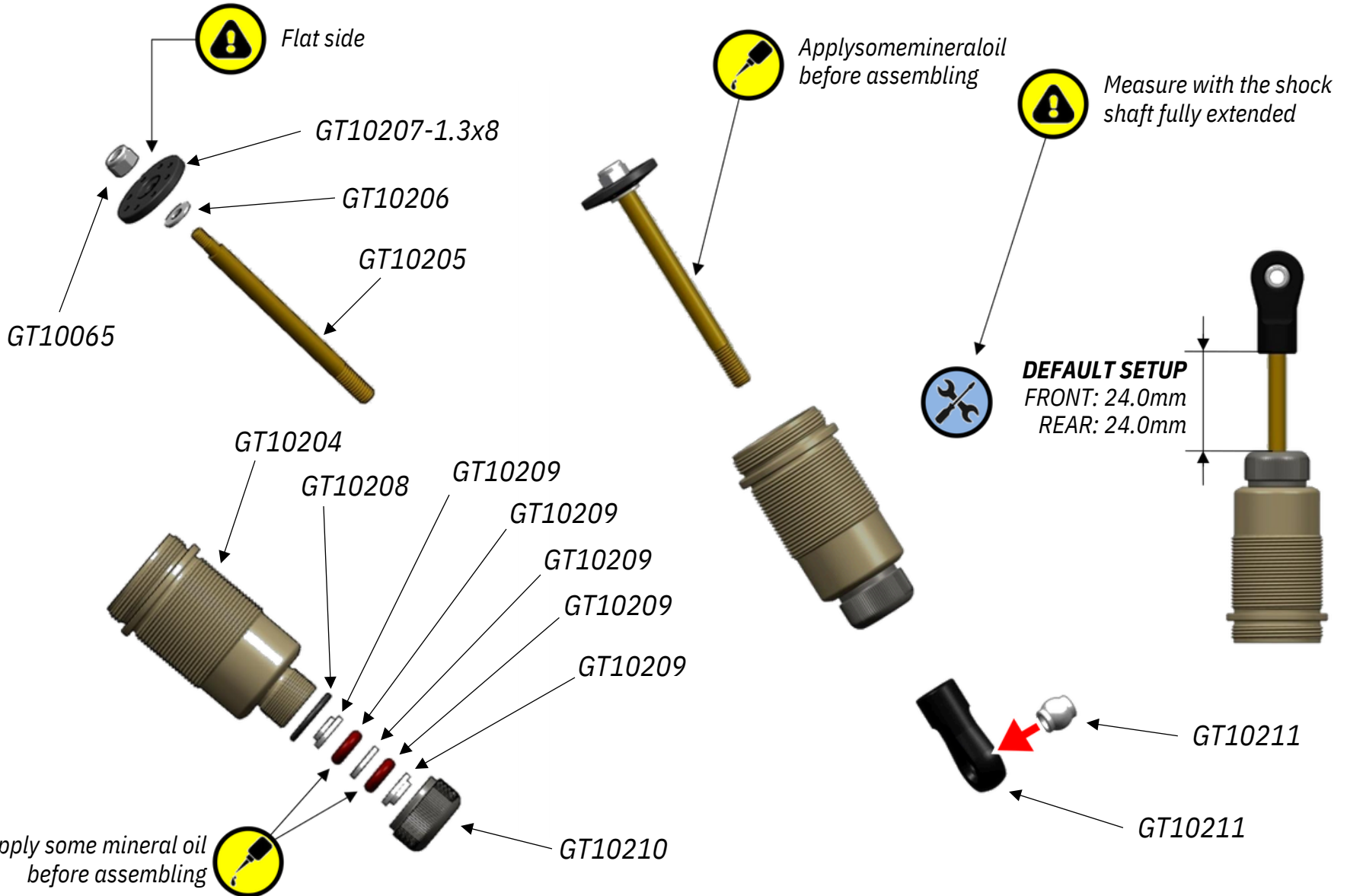
Code	Part Name		Qty
GT10204	Shock Body		4
GT10205	Teflon Coated Shock Shaft		4
GT10207-1.3x8	Shock Piston 1.3x8Holes		4
GT10208	Shock Seal Cap O-Ring		4
GT10209	Shock Body Seal O-Ring		8
GT10210	Shock Seal Cap		4
GT10211	Shock Ball Joint		4
GT10211	Pivot Ball 6mm		4
GT10212	Shock Spring Holder		4
GT10213	Shock Spring Adjust Nut		4
GT10213	Shock Spring Adjust Nut O-Ring		4

Code			Qty
GT10214-M	Shock Bladder		4
GT10215	Medium Shock Cap		4
GT10215	Shock Cap Ball Bushing		4
GT10217-5.0	Blue Spring		2
GT10216-4.75	Purple Spring		2
GT10206	Shim 2.6x6x0.6		4
GT10209	Shock Body Seal Washer 3.5x7x1.0		4
GT10209	Shock Body Seal Washer 3.6x7x2.5		8
GT10065	Self-locking Nut M2.5		4
GT10215	Shock Screw M2.0x4.6		4

BAG 1

ShockAbsorbers - Step 0

BUILD 4X



DEFAULT SETUP

FRONT: 1000cSt

REAR: 1000cSt



FILL SHOCK AS FOLLOWS

1. Extend the shock shaft completely
2. Fill up the shock body fully with silicone oil (not included)
3. Move the shock shaft slowly up and down to let all air bubbles escape from oil



Insert the O-Ring inside the shock spring adjust nut



Apply some mineral oil before assembling

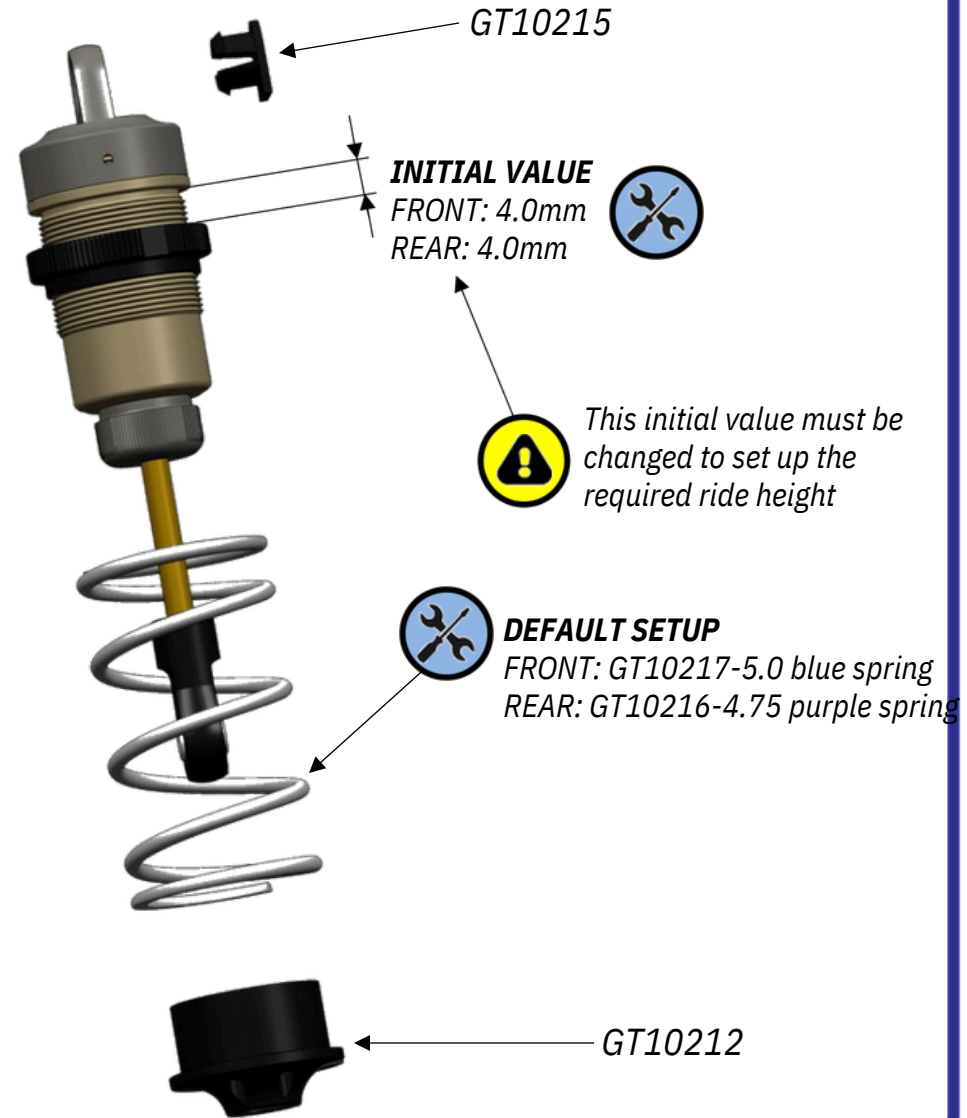
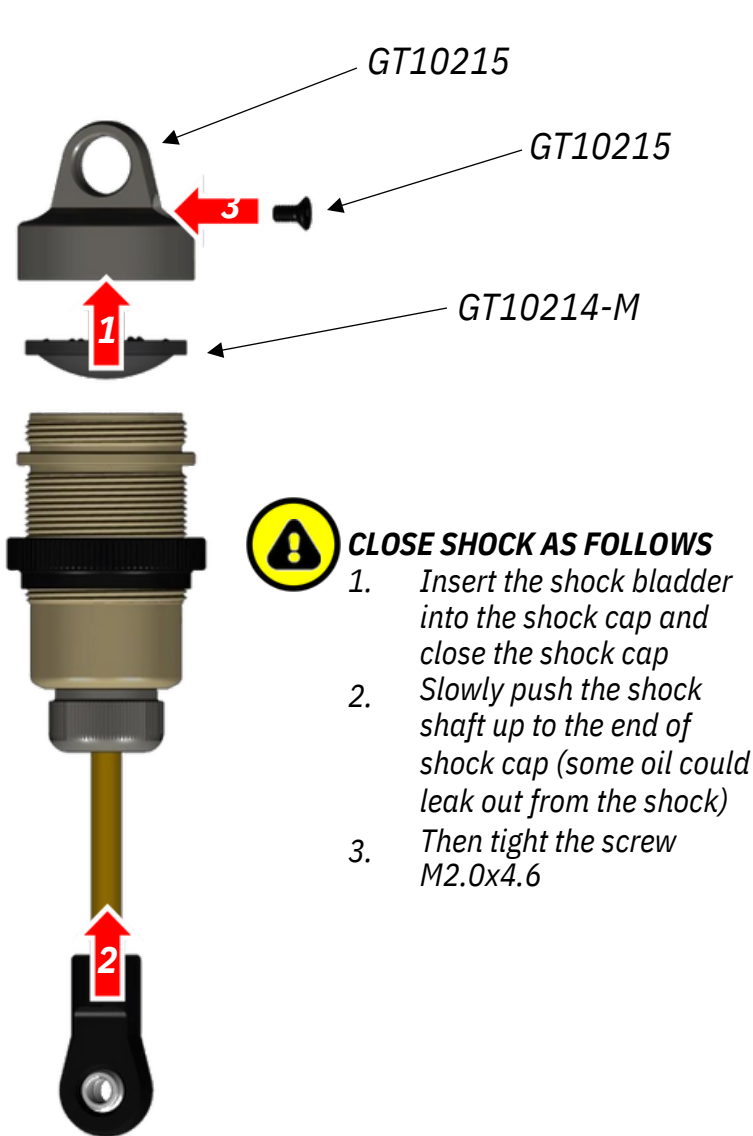


GT10213



GT10213







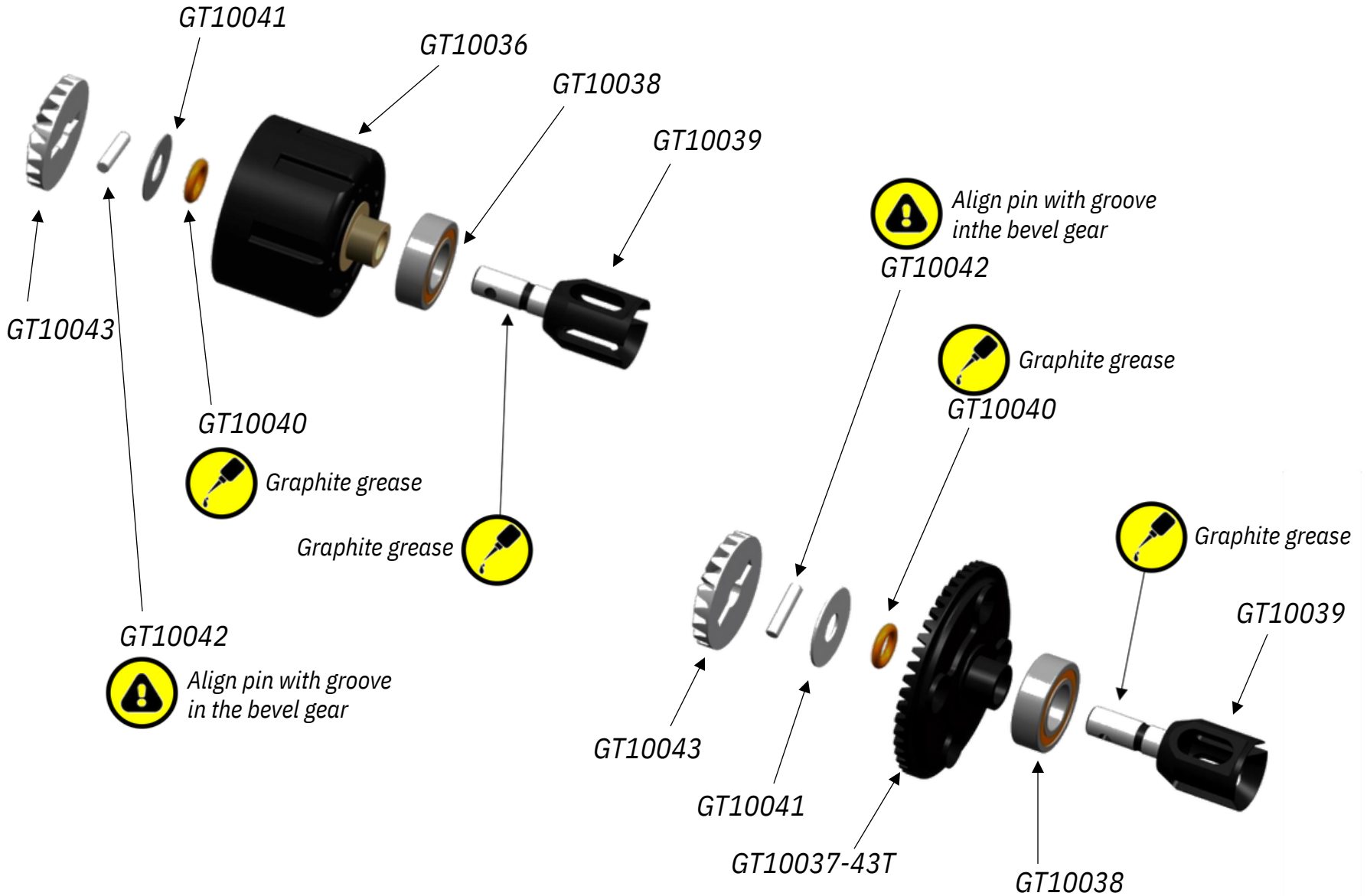
BAG 2

Parts included in the bag



Code	Part Name		Qty
GT10036	Differential Case		2
GT10037-43T	Crown Gear 43T		2
GT10039	Differential Outdrive		4
GT10043	Differential Bevel Gear 20T		4
GT10043	Differential Bevel Gear 10T		8
GT10043	Bevel Gear Shaft		4
GT10044	Differential Paper Gasket		2
GT10040	O-Ring 4.8X1.5		4
GT10038	Bearing 8x16x5		4
GT10042	Parallel Pin 2.2x9.9		4
GT10043	Washer 3.5x10x0.2		8

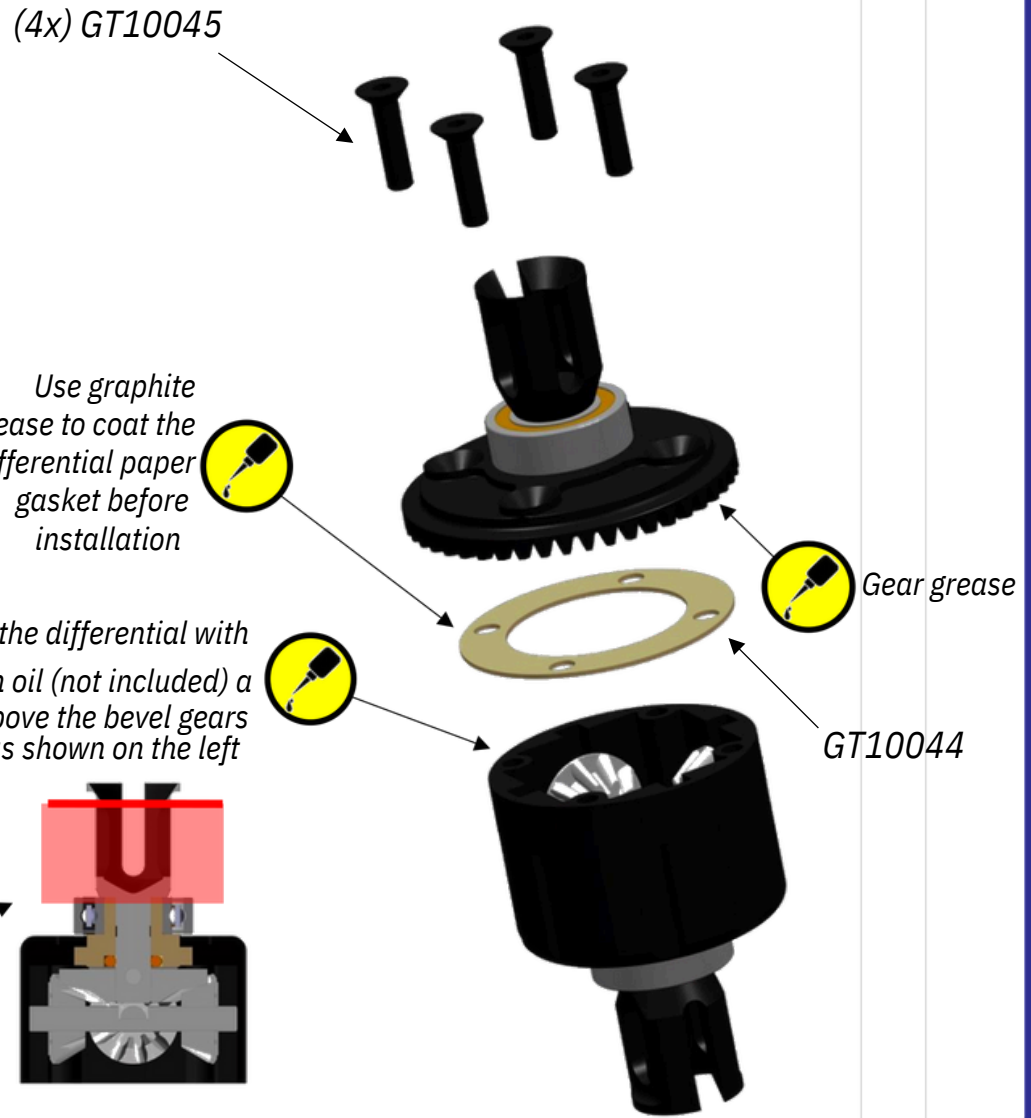
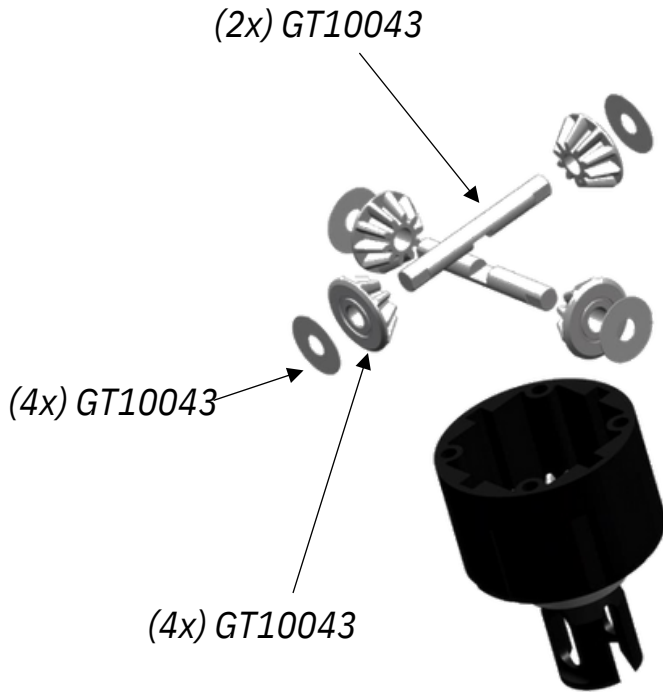
Code	Part Name		Qty
GT10041	Washer 5x12x0.3		4
GT10045	Countersunk HeadCap Screw M3x12		8



BAG 2

Differentials - Step 1
Pre-assembly

BUILD 2X









DEFAULT SETUP
FRONT: 1.000.000cSt
REAR: 40.000cSt



BAG 3*Parts included in the bag*

10

Code	Part Name	Qty
GT10046	Differential Pinion Holder 	2
GT10048	Differential Shaft Driver 	2
GT10049-13T	Pinion Gear 13T 	2
GT10047	OR 13x1 	4
GT10050	Flanged Bearing 5x13x4 	4
GT 10051	Grub Screw M5x4 	2

BAG 3

Differential Pinion Holders

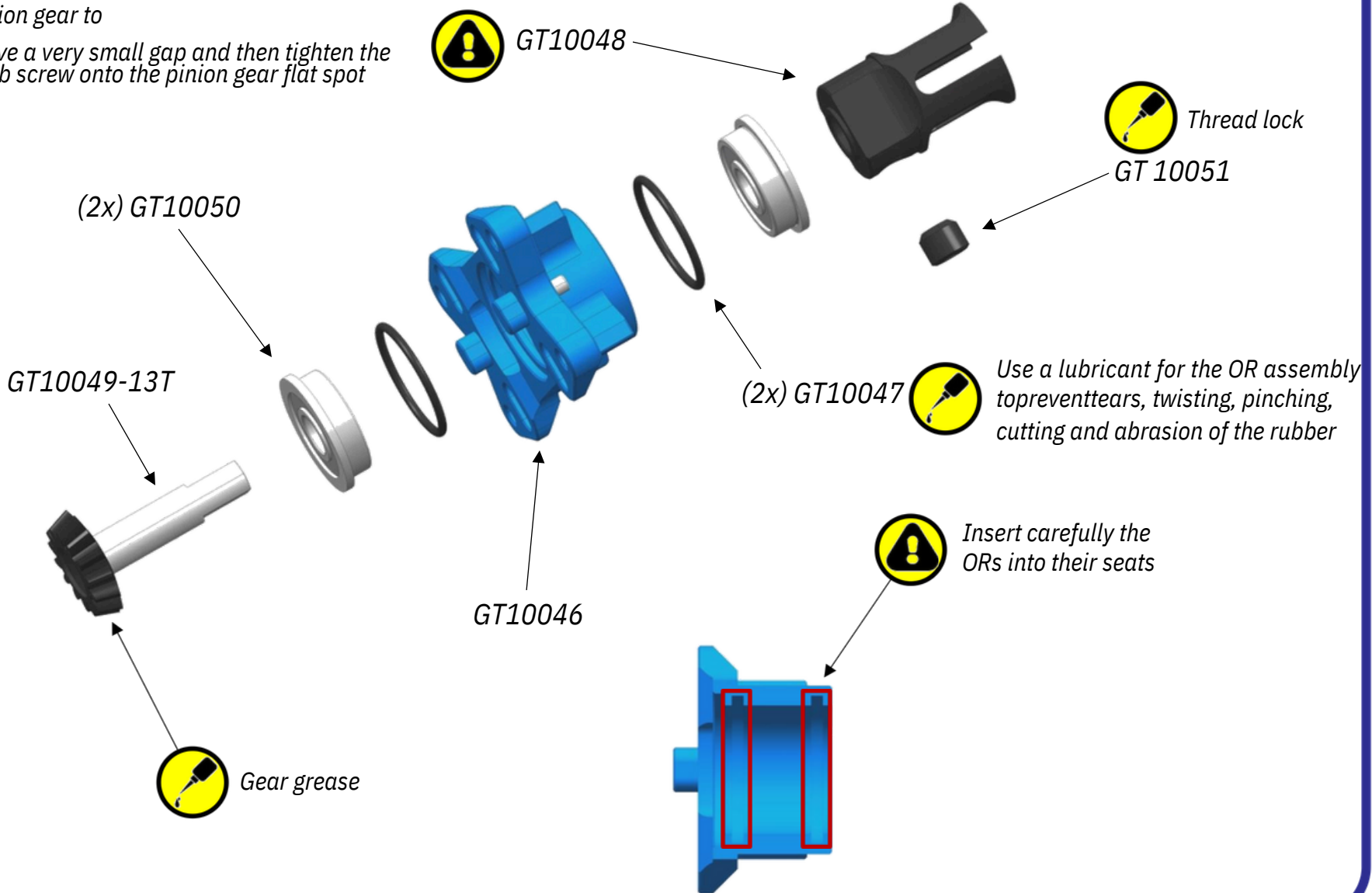
BUILD 2X



Pre-assembly Push the shaft driver against the


pinion gear to

leave a very small gap and then tighten the grub screw onto the pinion gear flat spot



BAG 4*Parts included in the bag*

12

Code	Part Name	Qty
GT10055	Rear Bulkhead 	2
GT10052	Bulkhead Cap 	2
GT10068	Shock Column 	2
GT26.10059	Rear Shock Tower 	1
GT10056-13	Suspension Square Bushing 13 	2
GT10069	Chamfered Washer M3 	2
GT10070	Countersunk HeadCap Screw M3x10 	2
GT10054	Socket Head Cap Screw M3x10 	8
GT10057	Countersunk HeadCap Screw M4x8 	4
GT10058	Countersunk HeadCap Screw M4x10 	4

BAG 4

RearBulkhead - Step 0

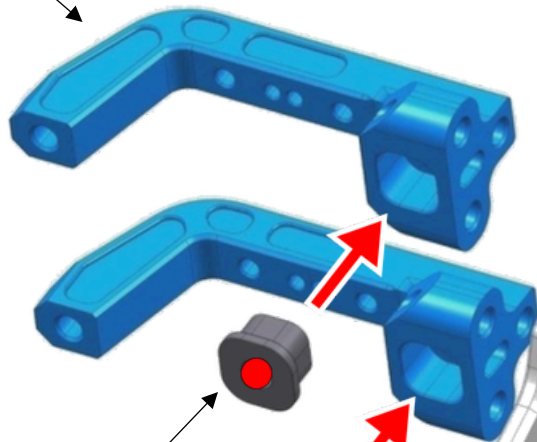


The chassis is included the box



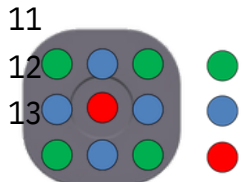
GT10180

(2x) GT10055



(2x) GT10056-13

SQUARE BUSHING
DEFAULT SETUP 13



Thread lock

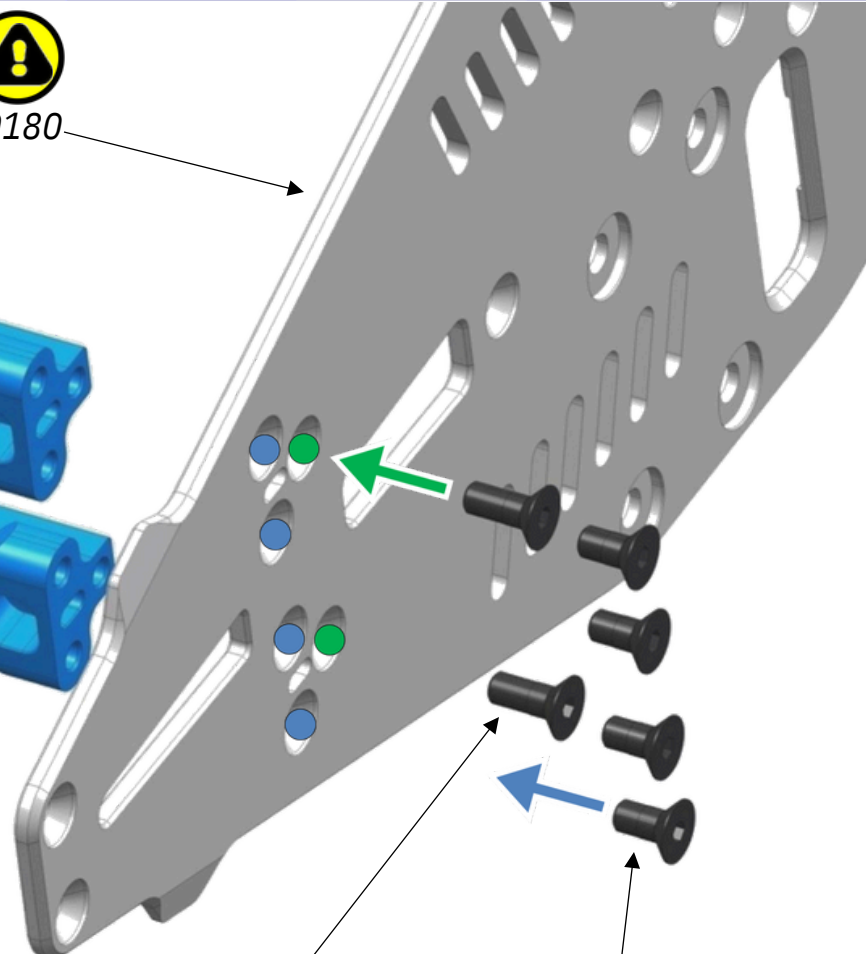


(2x) GT10058

Thread lock

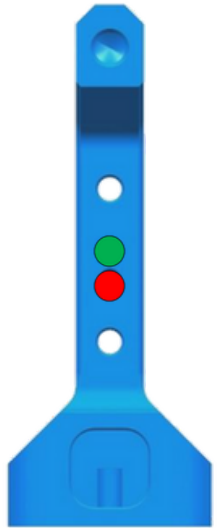


(4x) GT10057



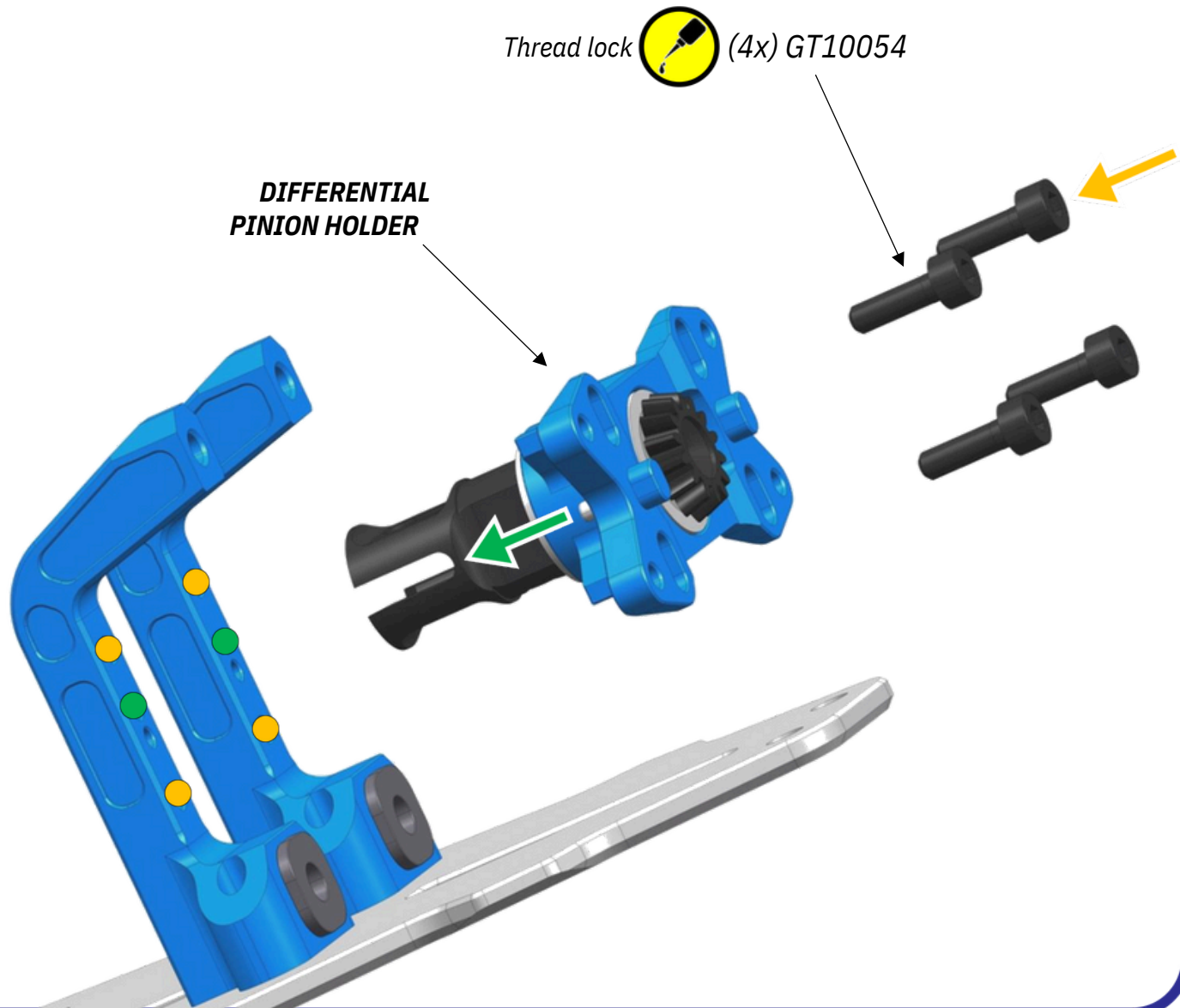
BAG 4


RearBulkhead –Step 1




- High Position
- Low Position


DEFAULT SETUP
High Position



To OPEN the PLAY between the differential crown gear and pinion drive add one shim here 
(note: 0.1mm thickness shim, not included, can be used for fine tuning of gearmesh)

REAR DIFFERENTIAL

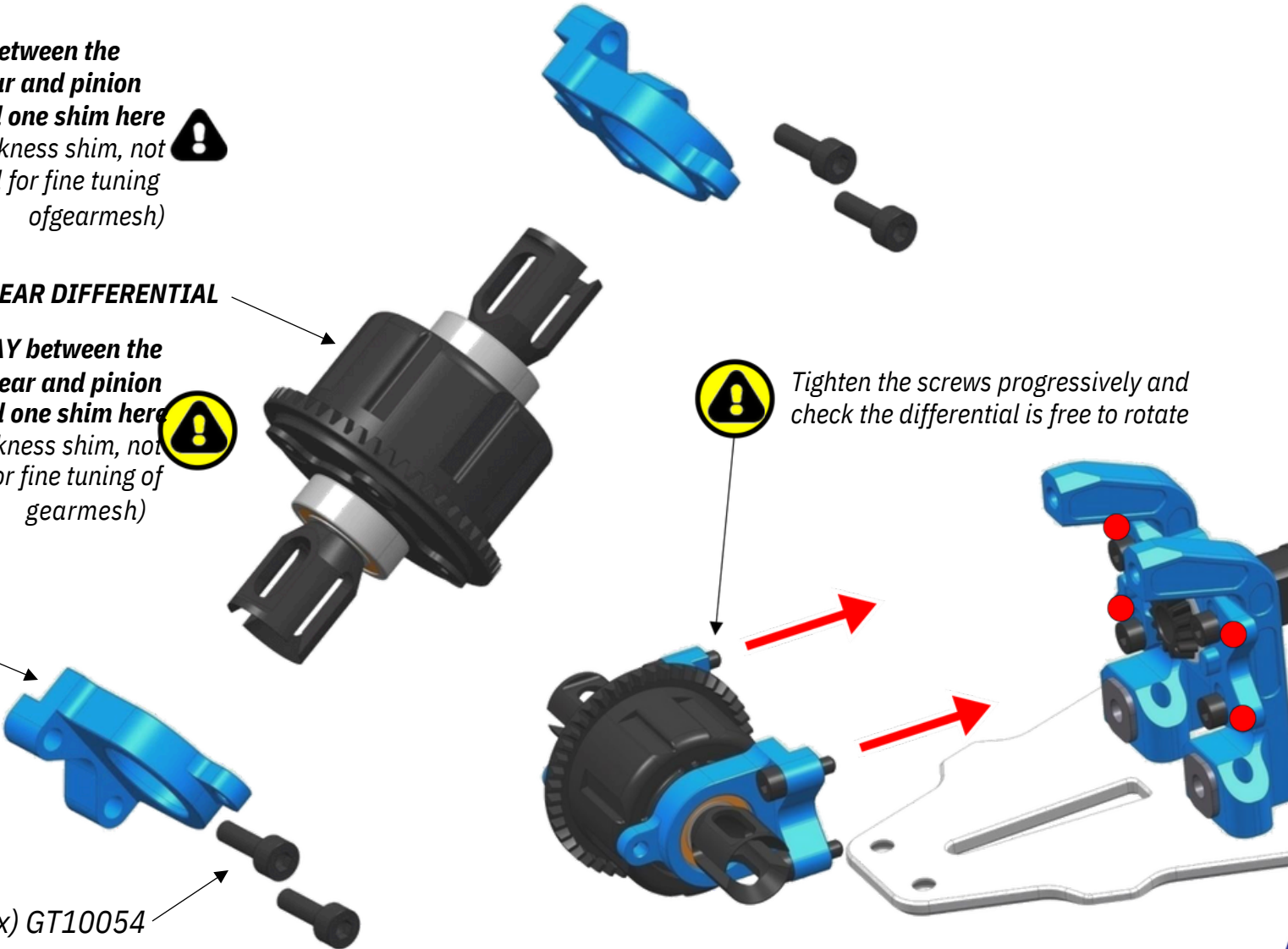
To OPEN the PLAY between the differential crown gear and pinion drive add one shim here 
(note: 0.1mm thickness shim, not included, can be used for fine tuning of gearmesh)

 Tighten the screws progressively and check the differential is free to rotate

(2x) GT10052

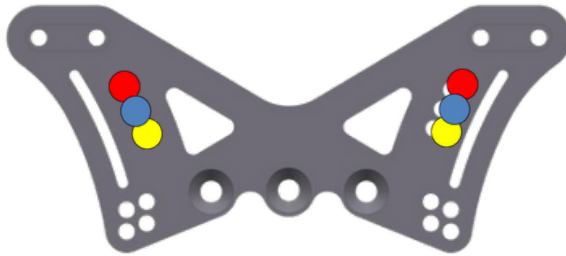
Thread lock

(4x) GT10054



BAG 4

RearBulkhead - Step 3

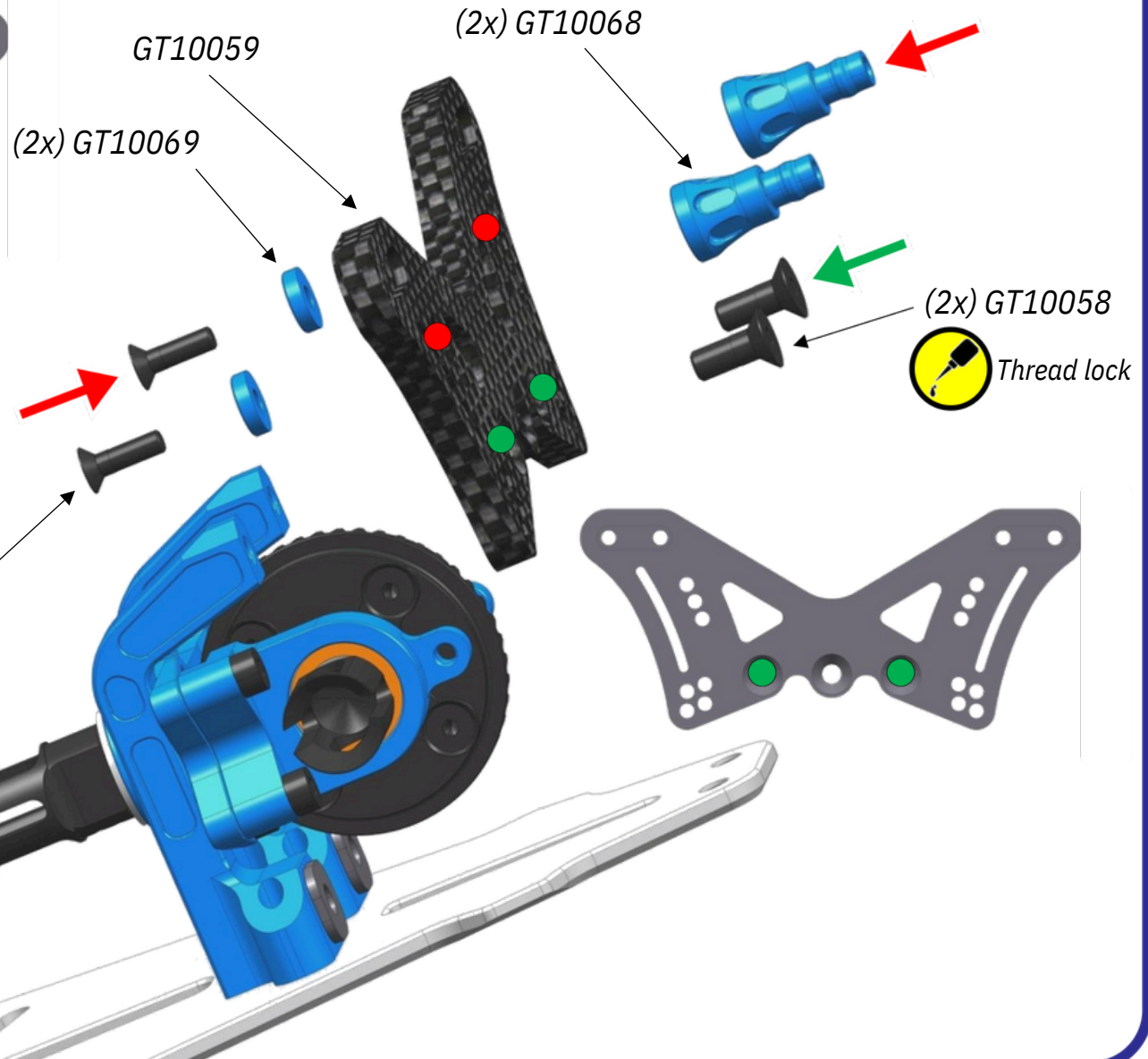


- High Position
- Medium Position
- Low Position

**REAR SHOCK ABSORBER
DEFAULT SETUP**
High Position



Thread lock  (2x) GT10070



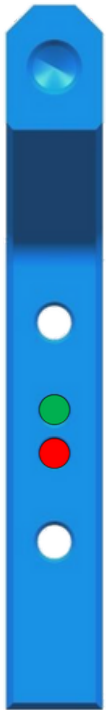
BAG 5*Parts included in the bag*

17

Code	Part Name	Qty
GT10072	Front Bulkhead 	2
GT10052	Bulkhead Cap 	2
GT10068	Shock Column 	2
GT26.10073	Front Shock Tower 	1
GT10069	M3 Countersunk HeadCap 	2
GT.10070	Screw M3x10 Socket Head Cap 	2
GT10054	Screw M3x10 Countersunk Head Cap 	8
GT10057	Screw M4x8 Countersunk Head Cap 	4
GT10058	Screw M4x10 	2

BAG 5

FrontBulkhead - Step 0

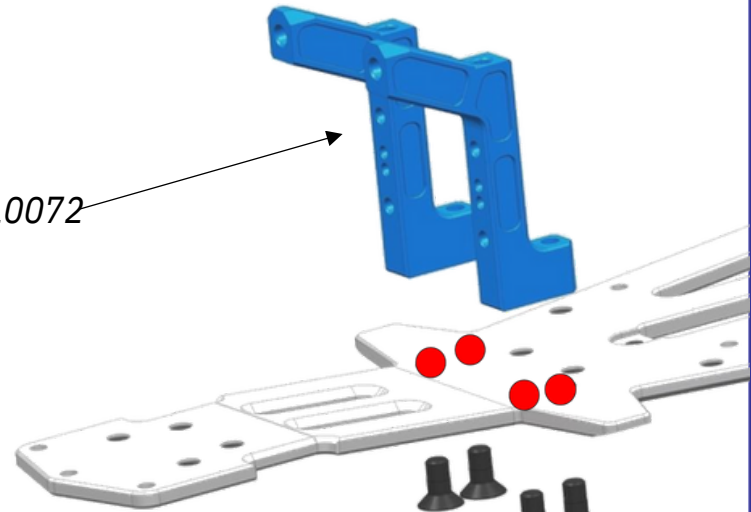


- High Position
- Low Position

DEFAULT SETUP
High Position



(2x) GT10072



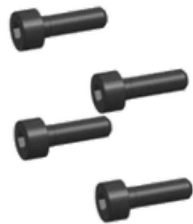
Thread lock



(4x) GT10057



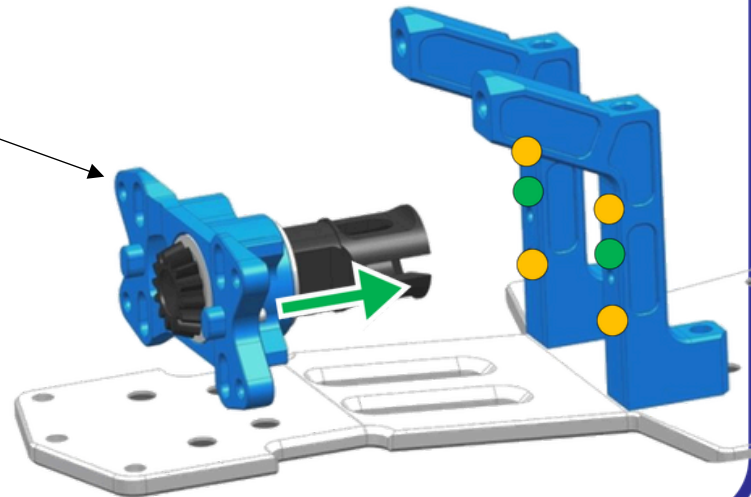
**DIFFERENTIAL
PINION HOLDER**




Thread lock



(4x) GT10054





To OPEN the PLAY between the differential crown gear and pinion drive add one shim here

(note: 0.1mm thickness shim, not included, can be used for fine tuning of gear mesh) 

REAR DIFFERENTIAL

To OPEN the PLAY between the differential crown gear and pinion drive add one shim here

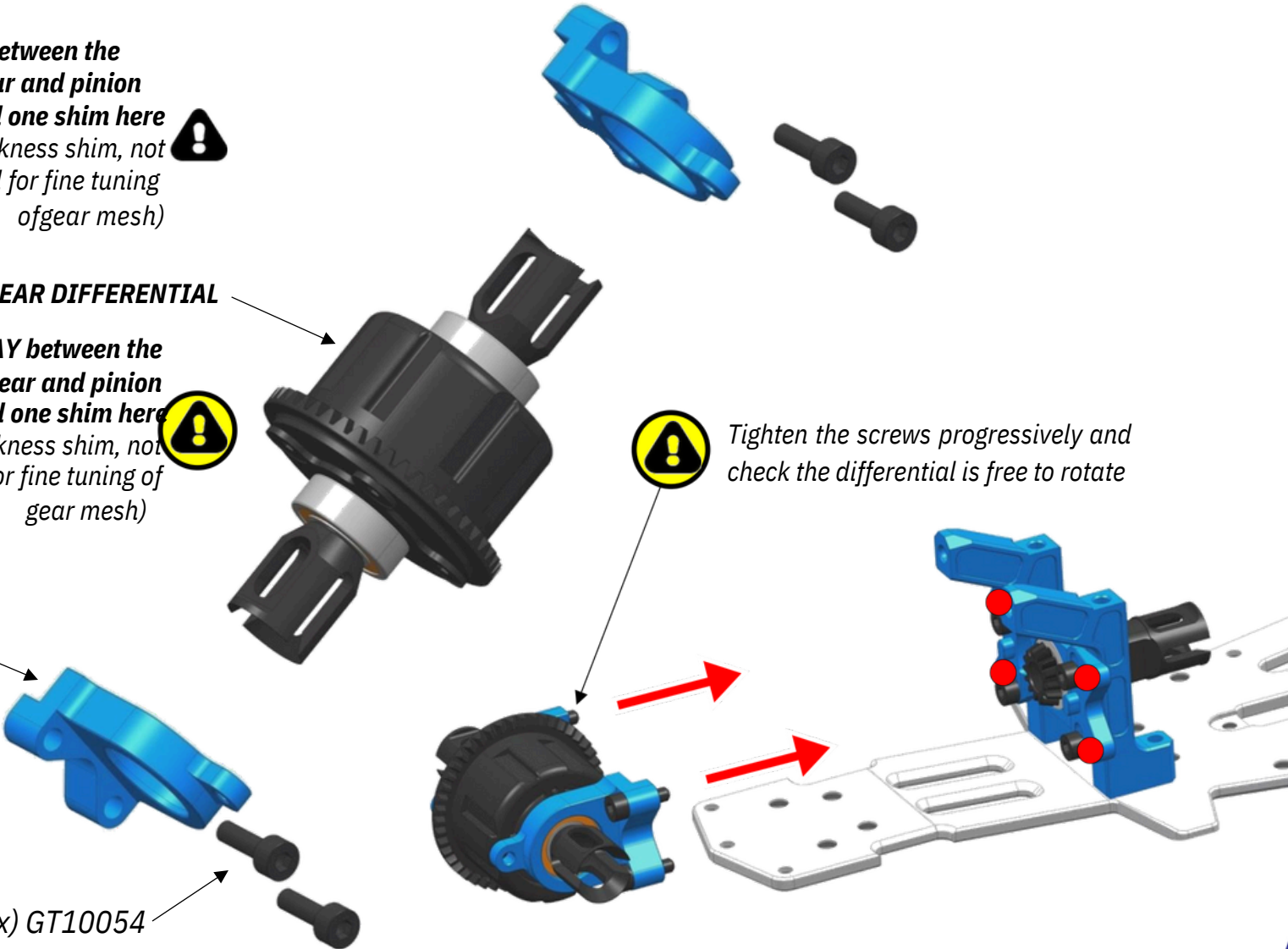
(note: 0.1mm thickness shim, not included, can be used for fine tuning of gear mesh) 

 Tighten the screws progressively and check the differential is free to rotate

(2x) GT10052

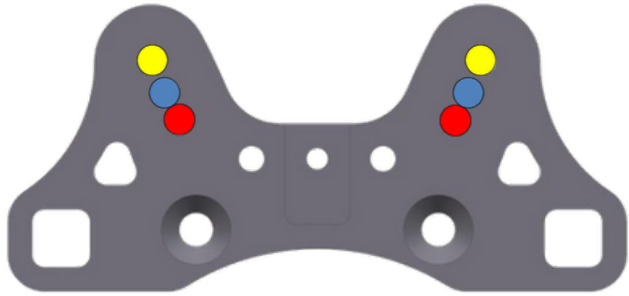
Thread lock 

(4x) GT10054



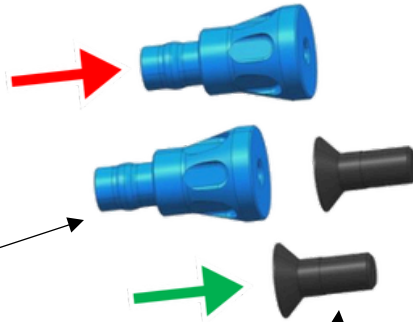
BAG 5

FrontBulkhead - Step 2



- High Position
- Medium Position
- Low Position

**FRONT SHOCK ABSORBERS
DEFAULT SETUP**
Low Position



(2x) GT10068

Thread lock (2x) GT10058

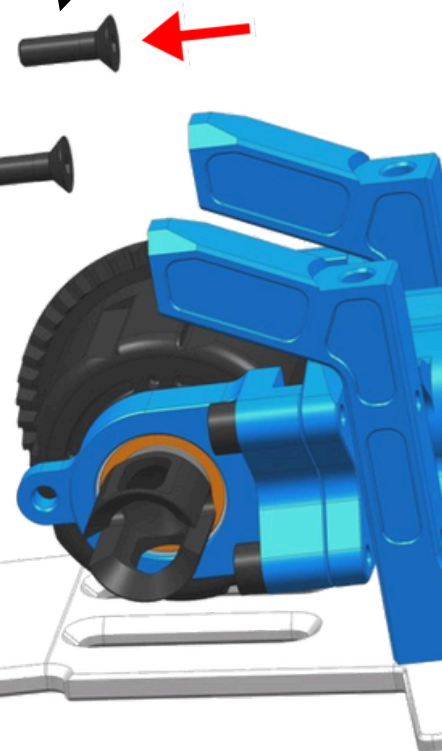
(2x) GT10069

GT10073



Thread lock

(2x) GT.10070



BAG 6*Parts included in the bag*

Code	Part Name	Qty
GT10135	Rear Lower Suspension Arm 	2
GT.2610139	Shock Suspension Arm Extension 	2
GT10108	Rear Lower Suspension Arm Holder 	1
GT10109	Rear Lower Suspension Arm Holder Cap 	1
GT10141	Suspension Bushing 	4
GT10056-16	Suspension Square Bushing 16 	2
GT10142	Parallel Pin 4x55 	2
GT10145	Down-stop Screw 	2
GT10183	Socket Head Cap Screw M2.5x8 	4
GT10004	Countersunk Head Cap Screw M3x8 	2
GT10057	Countersunk Head Cap Screw M4x8 	2

Code	Part Name	Qty
GT10146	Nylon Wire 	

BAG 6

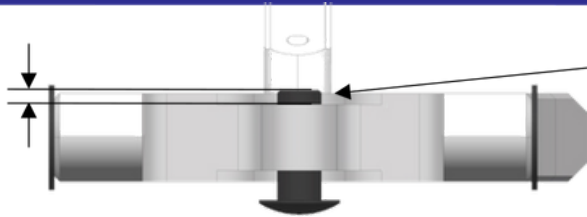
Rear Lower Suspension Arms - Step 0
Suspension Arms Pre-assembly

BUILD 2XL/R



DEFAULT SETUP
Around 1.3mm

(2x) GT10145



The down stop screw position must be adjusted according to the ride height to setup

(2x) GT10183

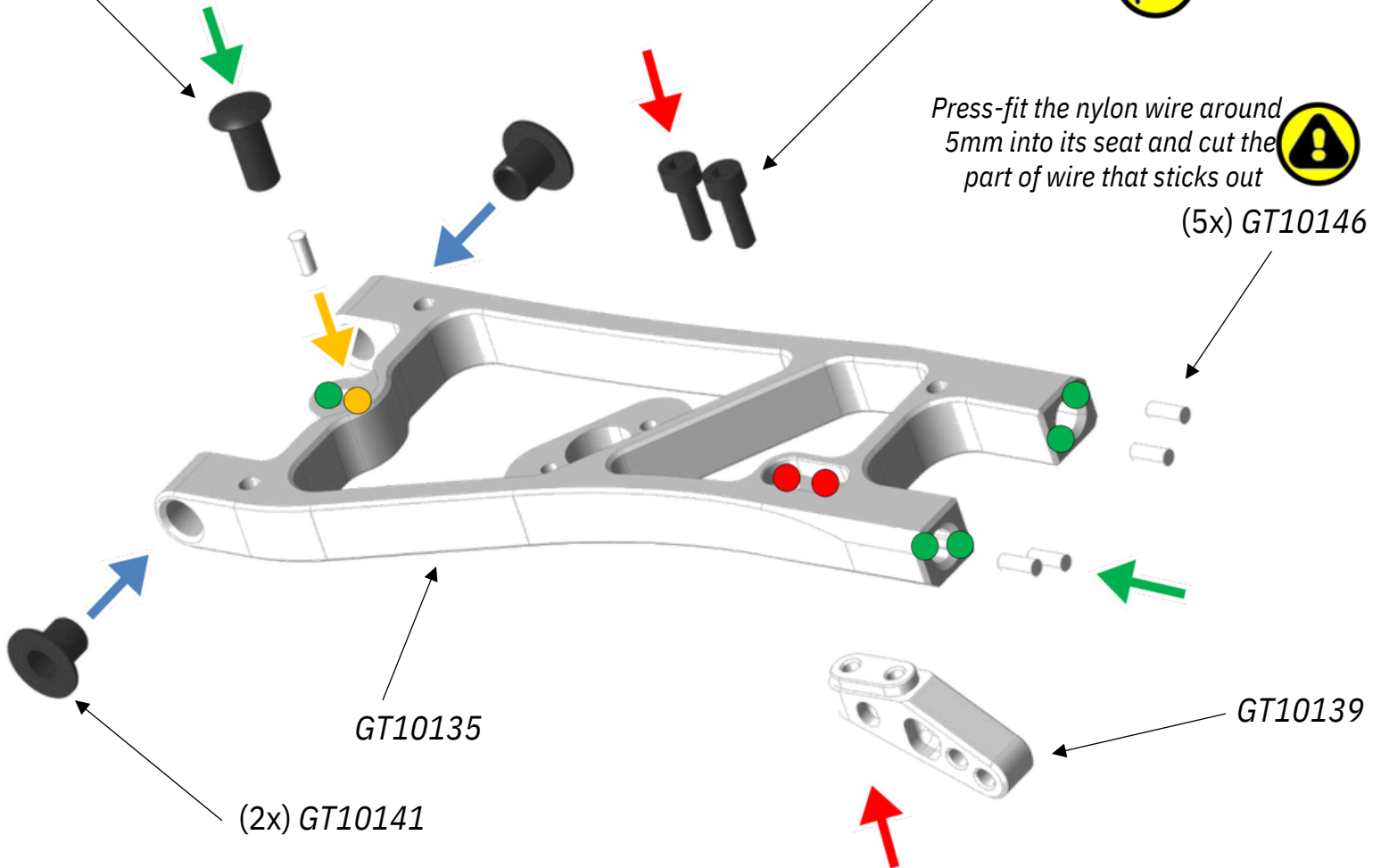


Thread lock

Press-fit the nylon wire around 5mm into its seat and cut the part of wire that sticks out



(5x) GT10146



BAG 6

Rear Lower Suspension Arms - Step 1



- 1 (green)
- 4 (blue)
- 1 (red)
- 5 (blue)

SQUARE BUSHING
DEFAULT SETUP

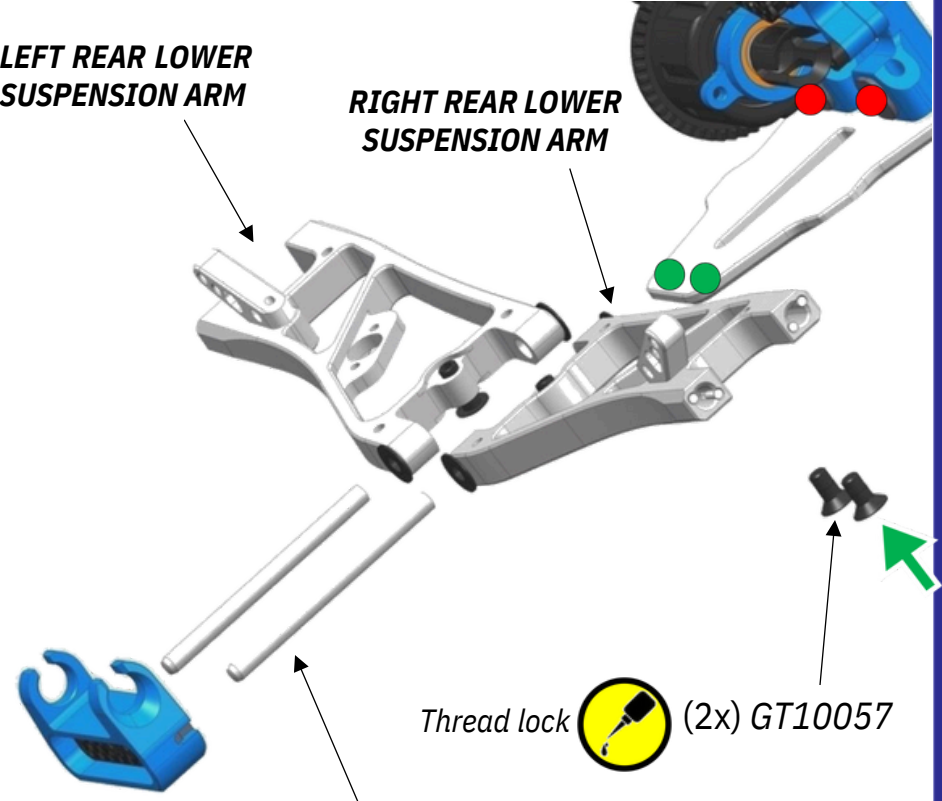
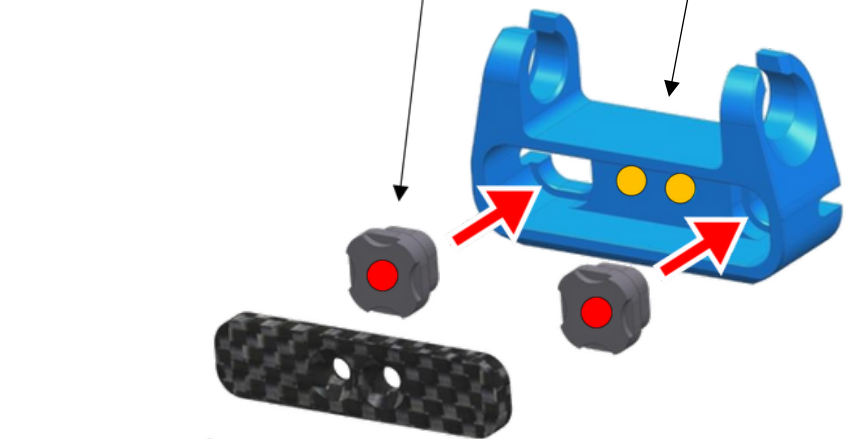


(2x) GT.10056-16

GT10108

LEFT REAR LOWER
SUSPENSION ARM

RIGHT REAR LOWER
SUSPENSION ARM



Thread lock (2x) GT10057

(2x) GT10142

(2x) GT10004 Thread lock

GT10109



The arm holder cap must be mounted after the arm holder has been screwed to the chassis

BAG 7

Parts included in the bag

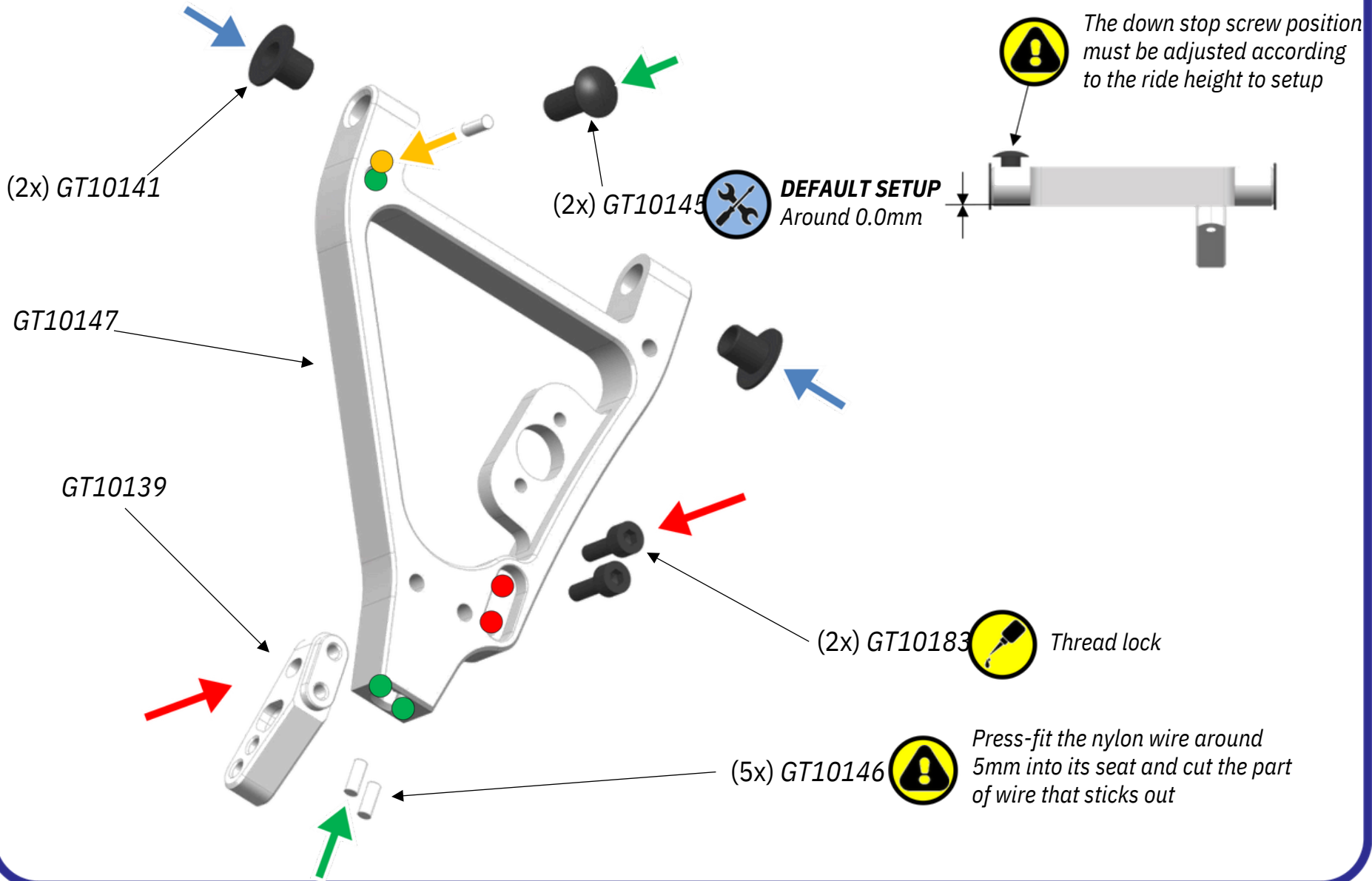


Code		Qty
GT10147	Front Lower Suspension Arm 	2
GT26.10139	Shock Suspension Arm Extension 	2
GT10110	Front Lower Suspension Arm Holder 	2
GT10141	Suspension Bushing 	4
GT1005-4	Suspension Square Bushing 4 	4
GT10148	Parallel Pin 4x70 	2
GT10145	Down-stop Screw 	2
GT10183	Socket Head Cap Screw M2.5x8 	4
GT10058	Countersunk Head Cap Screw M4x10 	4
GT10146	Nylon Wire 	

BAG 7

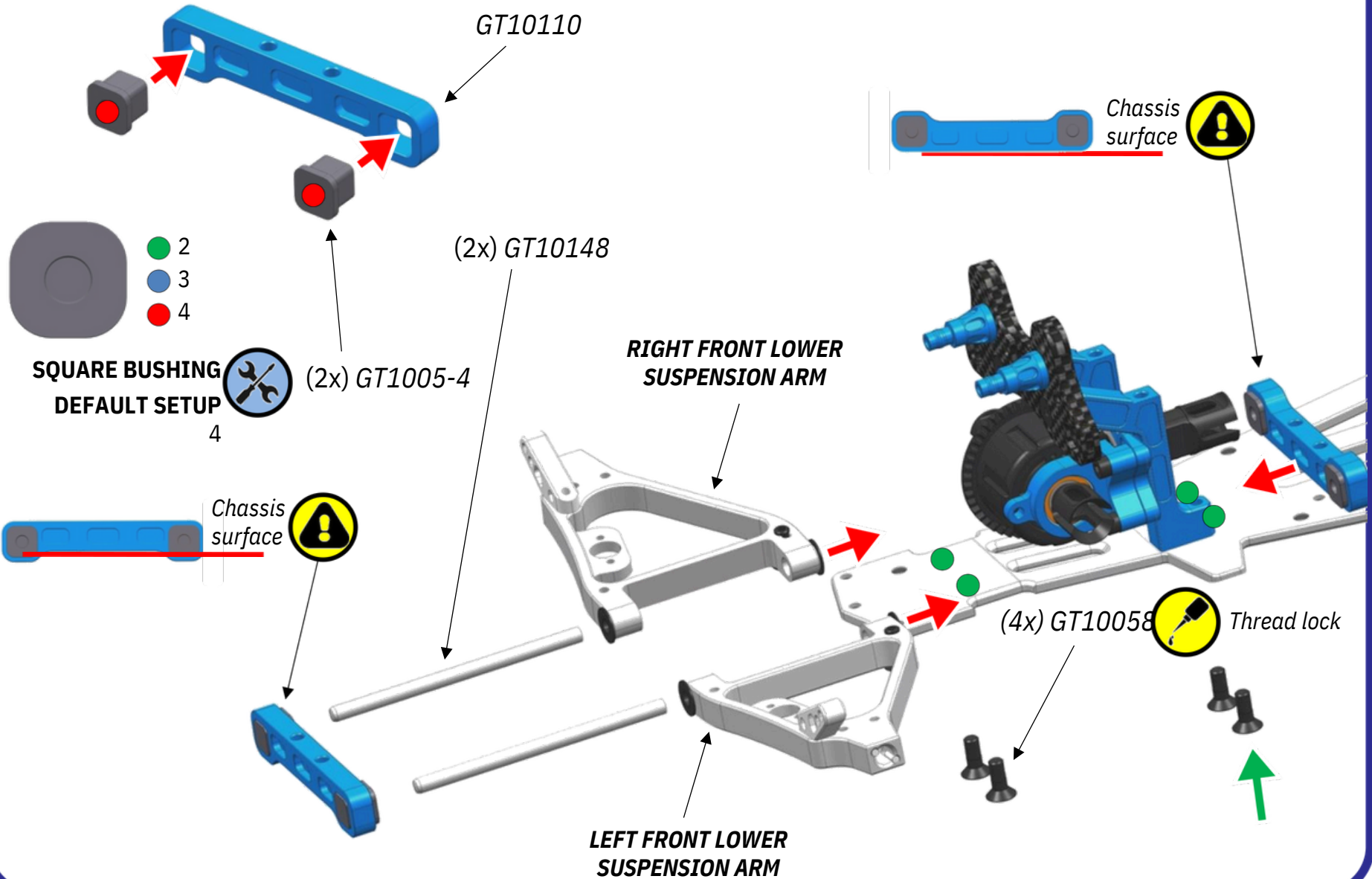
FrontLower Suspension Arms - Step 0
Suspension Arms Pre-assembly

BUILD 2XL/R



BAG 7

Front Lower Suspension Arms - Step 1





BAG 8

Parts included in the bag



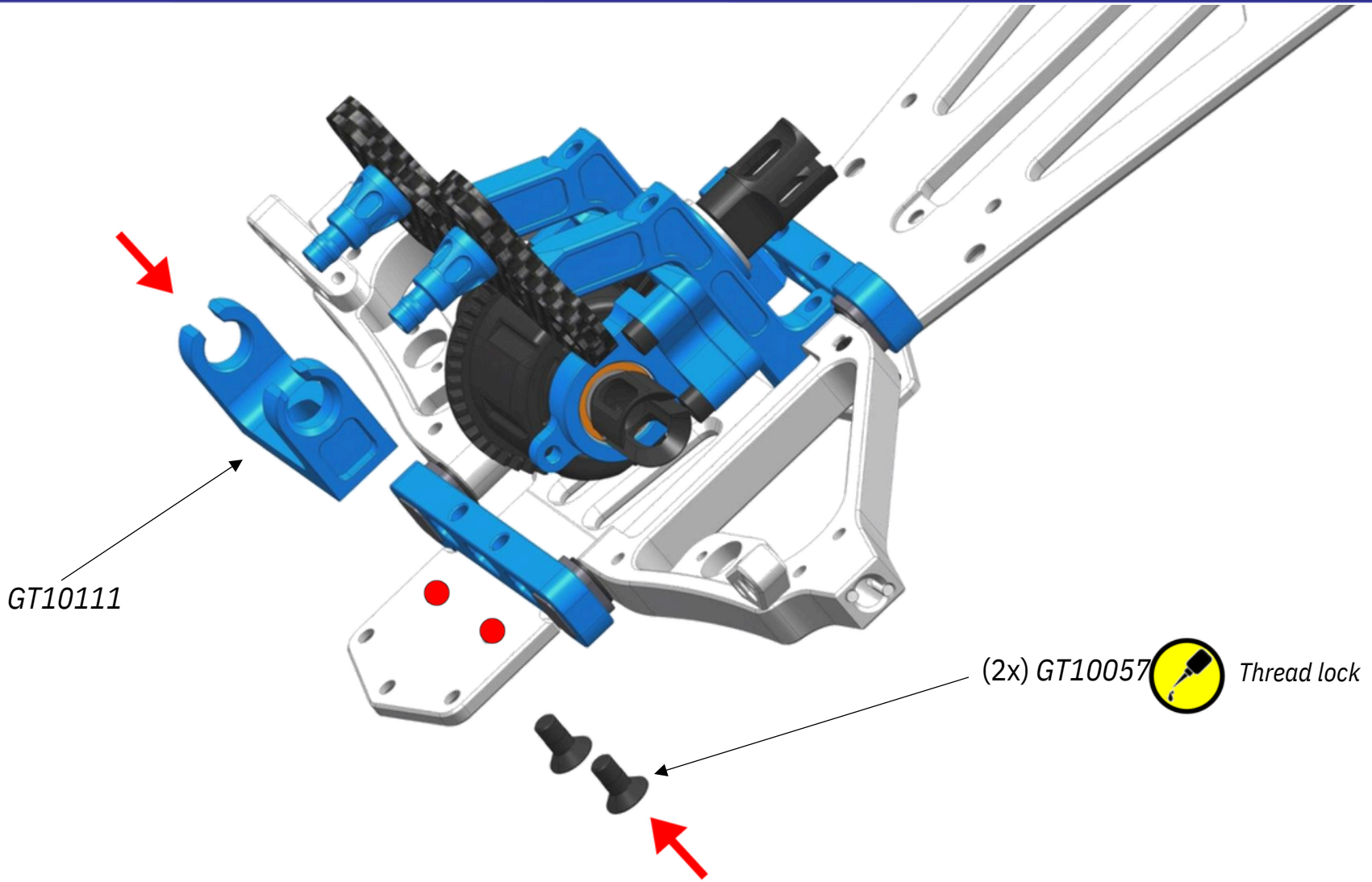
27

Code	Part Name		Qty
GT10111	Anti-Roll Bar Holder		1
GT10136	Anti-Roll Bar Plate		4
GT10164	Anti-Roll Bar Sphere Link		4
GT10137	Anti-Roll Bar Scrub Screw M6		4
GT10160	Anti-Roll Bar Bearing Holder		4
GT10161-3.0	Anti-Roll Bar Pivot 3.0		4
GT10159-2.3	Anti-Roll Bar 2.3		1
GT10159-2.5	Anti-Roll Bar 2.5		1
GT10163	Short Uniball Link 5.8mm		4
GT10028	Flanged Bearing 5x8x2.5		4
GT10006	Grub Screw M3x3		8

Code	Part Name		Qty
GT10138	Socket Head Cap Screw M2.5x5		8
GT10057	Countersunk Head Cap Screw M4x8		2

BAG 8

Anti-rollBars - Step 0



BAG 8

Anti-rollBars - Step 1

Front Anti-roll Bar Pre-assembly



FRONT ANTI-ROLL BAR PRE-ASSEMBLED

GT10159-2.3

Thread lock  (2x) GT10006

GT10161-3.0

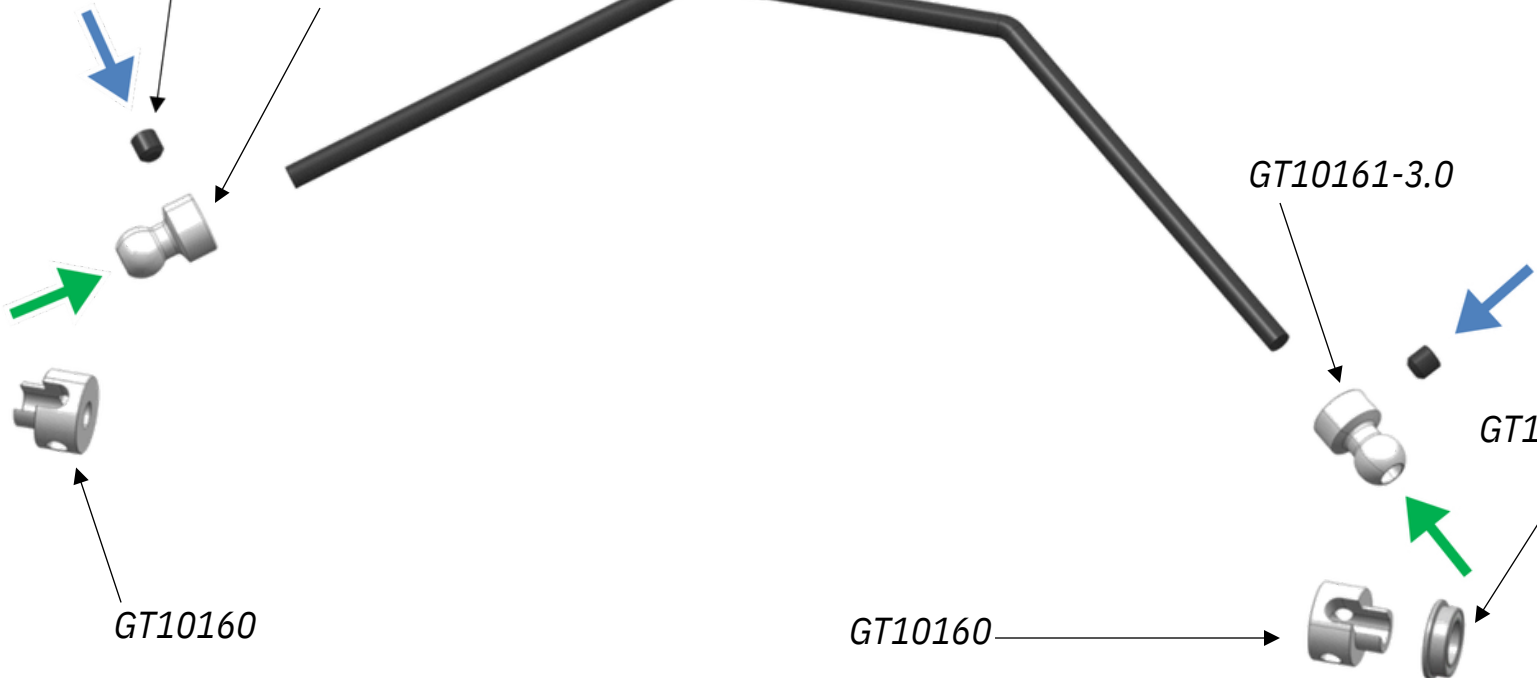
GT10161-3.0

GT10028

GT10028

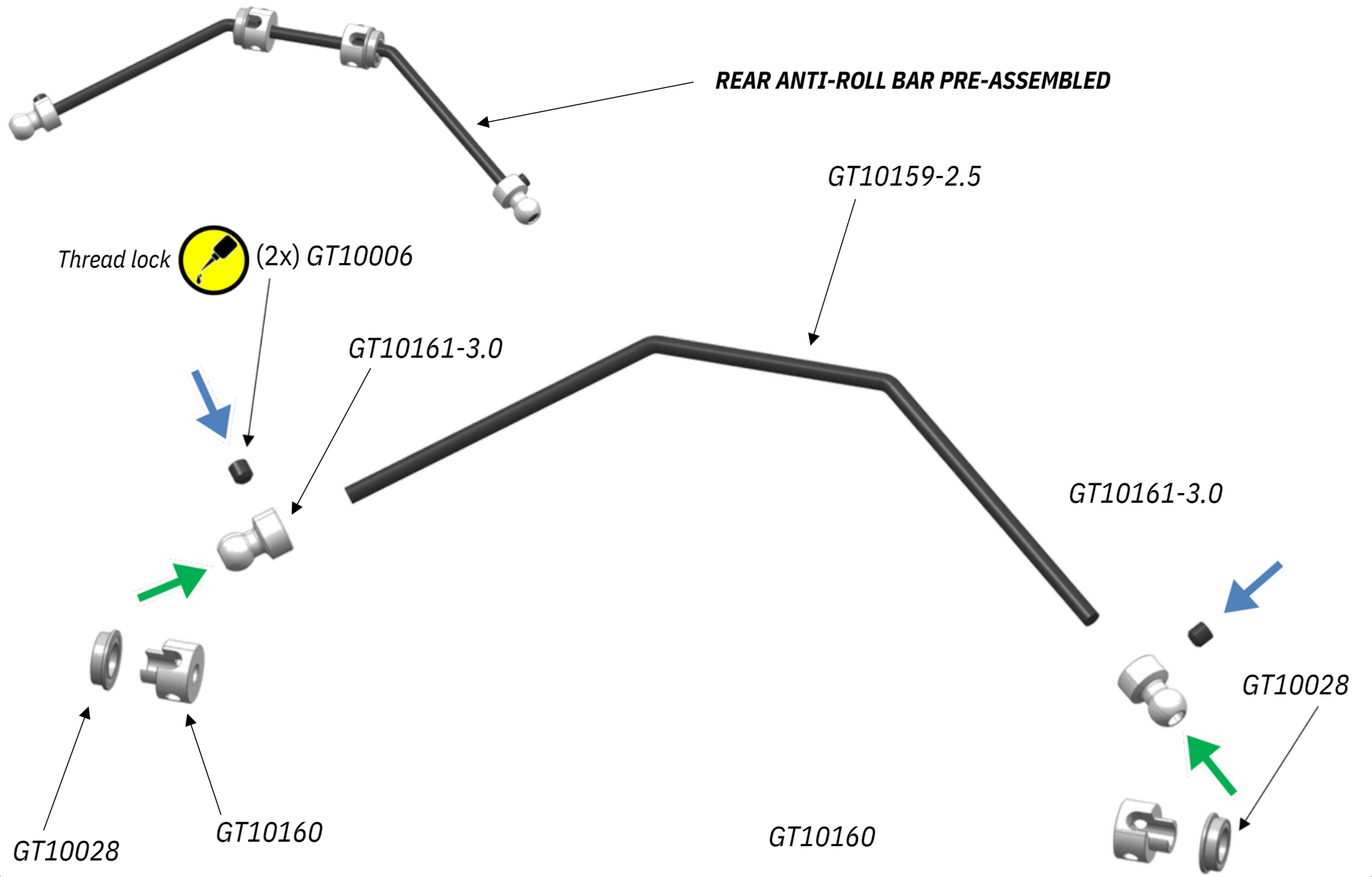
GT10160

GT10160



BAG 8

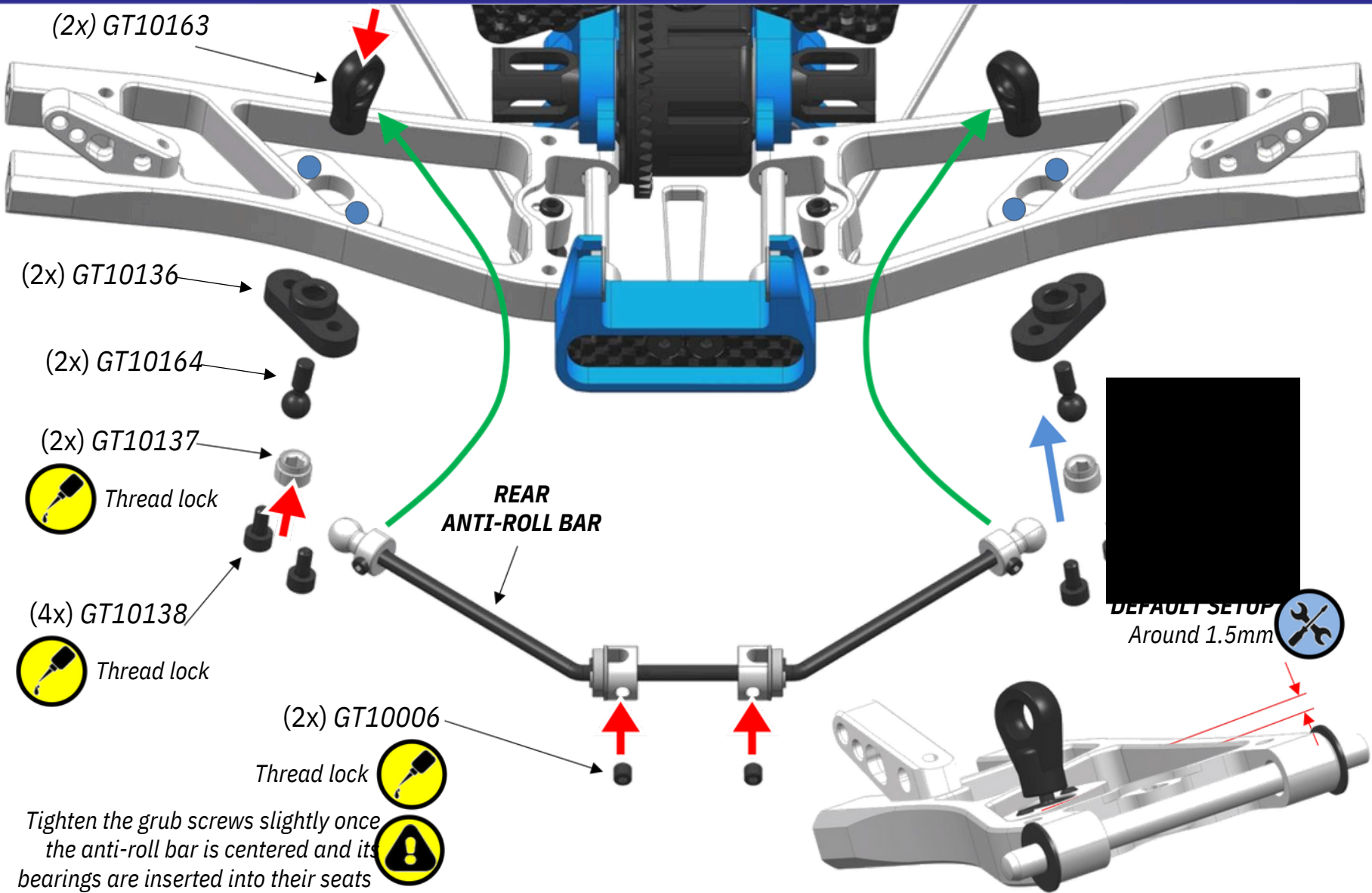
Anti-rollBars – Step 2
Rear Anti-roll Bar Pre-assembly



BAG 8

Anti-rollBars – Step 4

Rear Anti-roll Bar Mounting



(2x) GT10163

(2x) GT10136

(2x) GT10164

(2x) GT10137

Thread lock

(4x) GT10138

Thread lock

(2x) GT10006

Thread lock

REAR ANTI-ROLL BAR

DEFAULT SETUP
Around 1.5mm







Tighten the grub screws slightly once the anti-roll bar is centered and its bearings are inserted into their seats

BAG 9

Parts included in the bag



33

Code	Part Name		Qty
GT10112	Rear Upright Rear		2
GT10113	Upright Upper Suspension Arm Holder		2
GT10224	Adjusting Nut M10x1		4
GT10144	Pivot Ball 8.4mm		4
GT10130	CVD Axle Shaft 94mm		2
GT10131	Wheel Shaft Insert		2
GT10124	Wheel Axle		2
GT10125-0	Wheel Hub Offset 0		2
GT10151	Turnbuckle 4mm x 28mm		2
GT10152	Uniball Link 7mm		4
GT10235	Uniball 7mm		4

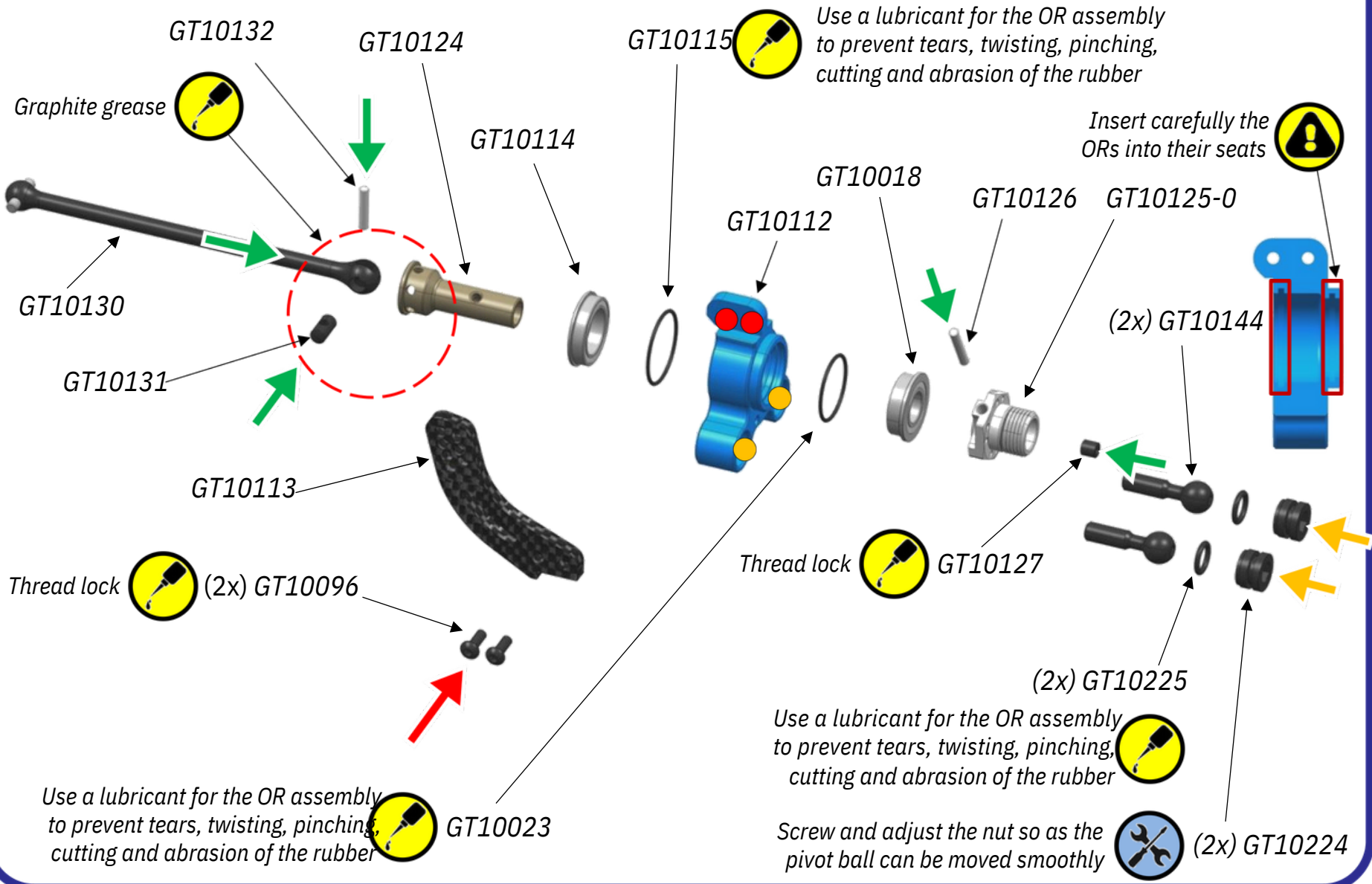
Code	Part Name		Qty
GT10225	OR 6.4x1.9		4
GT10023	OR 16x1		2
GT10115	OR 18x1		2
GT10018	Flanged Bearing 8x16x5		2
GT10114	Flanged Bearing 12x18x4		2
GT10132	Parallel Pin 2.5x11.8		2
GT10126	Parallel Pin 2.5x15.8		2
GT10127	Grub Screw M4x4		2
GT10096	Button Head Cap Screw M3x8		6
GT10222	Button Head Cap Screw M3x10		2

BAG 9

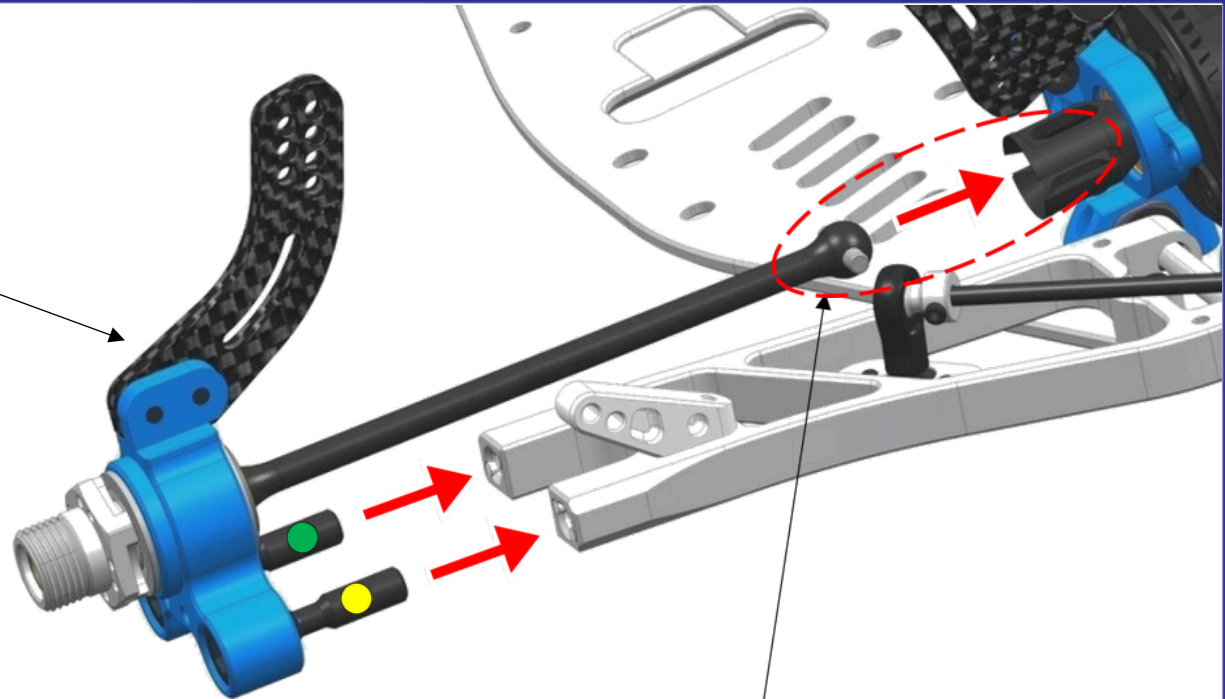
RearUprights - Step 0

Uprights Pre-assembly

BUILD 2XL/R



REAR UPRIGHT



Graphite grease



**FRONT PIVOT
DEFAULT SETUP**
Around 4.7mm

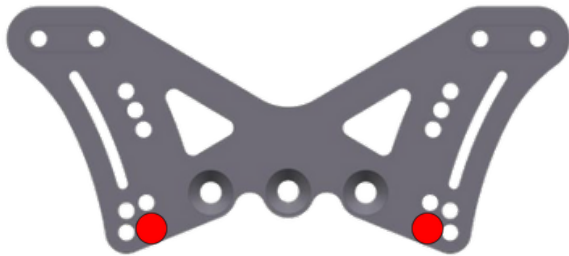


**REAR PIVOT
DEFAULT SETUP**
Around 5.5mm



BAG 9

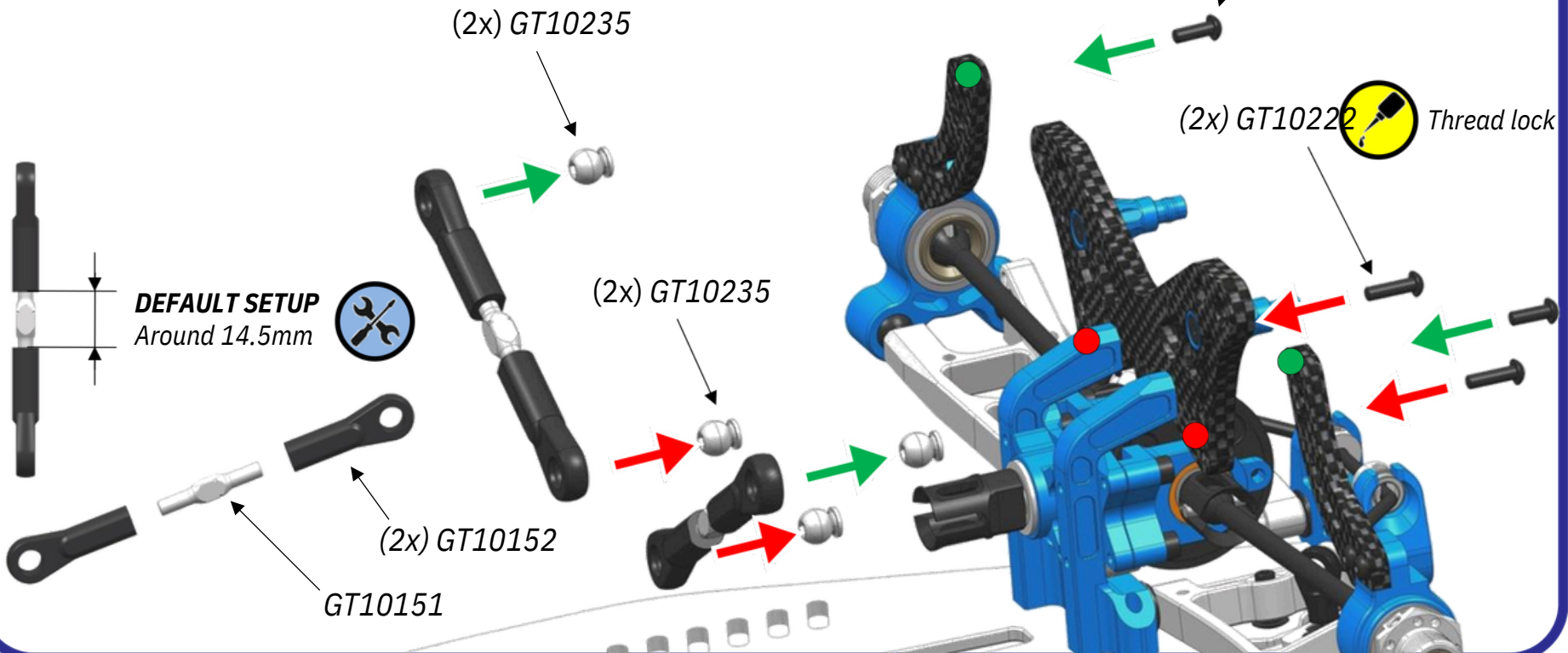
Rear Upper Suspension Arms – Step 1 Suspension Arms Mounting



**REAR UPPER SUSPENSION
ARM DEFAULT SETUP**
Inner Low Position



**REAR UPPER SUSPENSION
ARM DEFAULT SETUP**
Inner High Position












BAG 10

Parts included in the bag




37

Code	Part Name	Qty
GT10087	Steering Bellcrank 	1
GT10085	Steering Plate Pin Upper 	2
GT10076	Steering Bellcrank 	1
GT10077	Lower Steering Bellcrank 	1
GT10078	Servo Saver Tube 	1
GT10082	Servo Server Spring 	1
GT10083	Servo Saver Tube Spring Nut 	1
GT10095	Steering Plate 	1
GT10075	Steering Column 	2
GT10229 (optional)	Exhaust Pipe Spring Fixation 	1
GT10179	Exhaust Pipe Spring 	1

Code	Part Name	Qty
GT10086	Uniball 5.8mm 	1
GT10084	OR 10x1.5 	1
GT10079	Bearing 3x6x2.5 	2
GT10080	Flanged Bearing 3x6x2.5 	2
GT10081	Bearing 5x8x2.5 	4
GT10098	Shim 3x6x0.3 	2
GT10127	Grub Screw M4x4 	1
GT10074	Self-locking Nut M3 	2
GT10027	Countersunk Head Cap Screw M3x6 	1
GT10057	Countersunk Head Cap Screw M4x8 	1
GT10058	Countersunk Head Cap Screw M4x10 	2

BAG 10*Parts included in the bag*

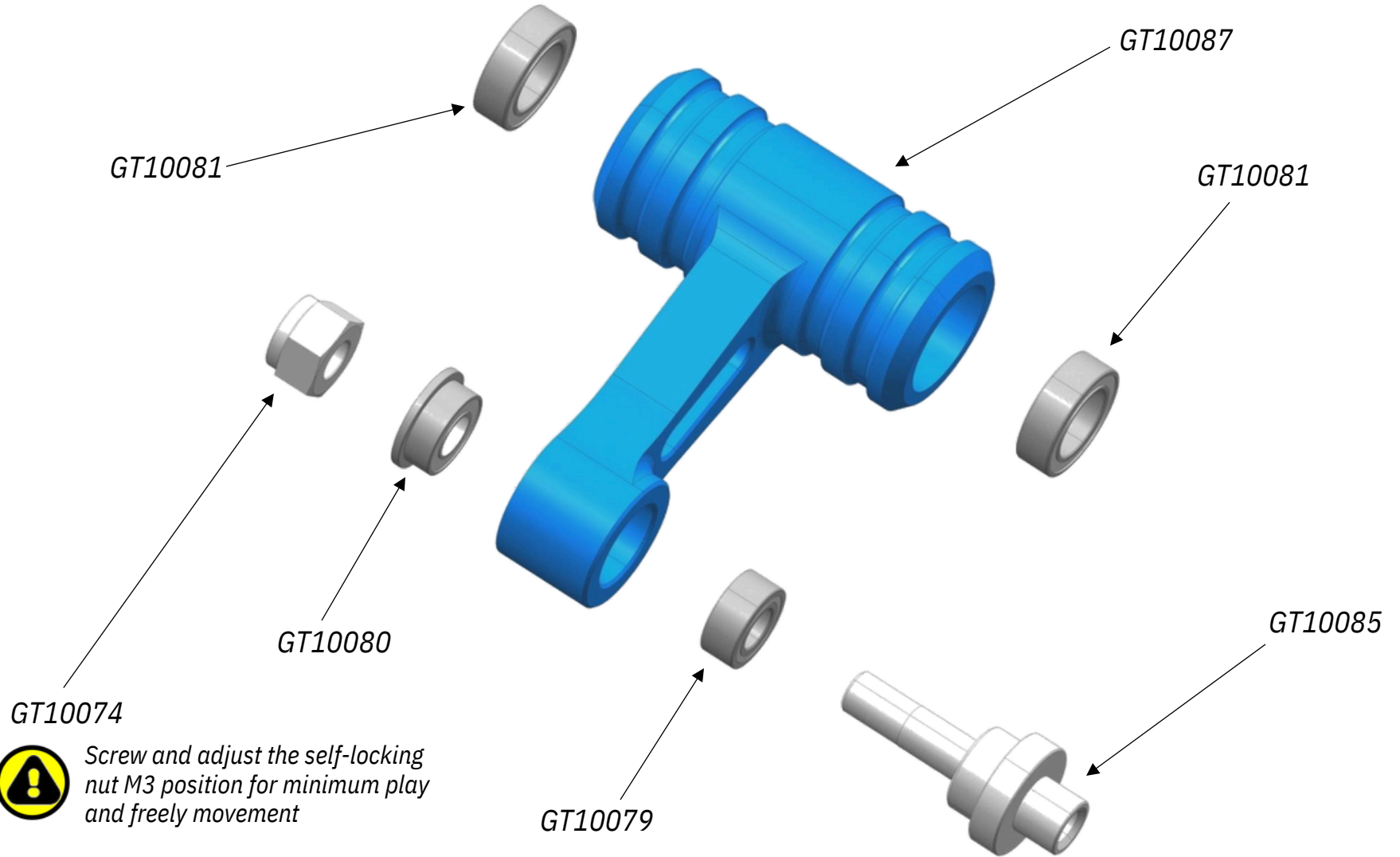
38

Code	Part Name	Qty
GT10094	Button Head Cap Screw M3x5 	2

BAG 10

SteeringSystem – Step 0

Left Side Servo Saver Pre-assembly



Screw and adjust the self-locking nut M3 position for minimum play and freely movement

BAG 10

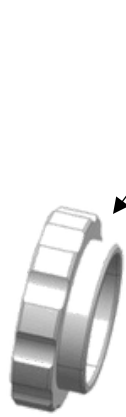
SteeringSystem – Step 1

Right Side Servo Saver Pre-assembly

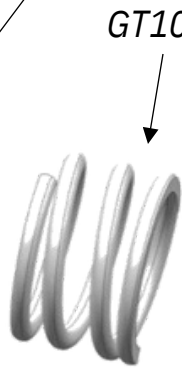


Use a lubricant for the OR assembly to prevent tears, twisting, pinching, cutting and abrasion of the rubber

GT10084



GT10083



GT10082



GT10077

GT10027



Thread lock



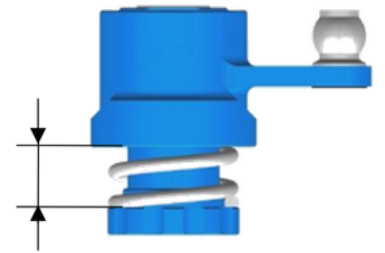
GT10076



GT10086

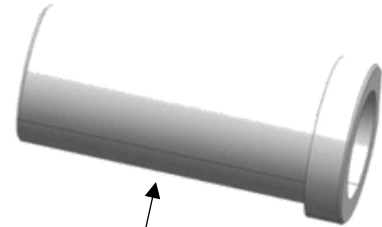


DEFAULT SETUP
Around 5.0mm



GT10081

GT10081



GT10078



GT10074

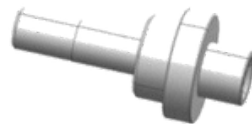


Screw and adjust the self-locking nut M3 position for minimum play and freely movement

GT10080



GT10079



GT10085

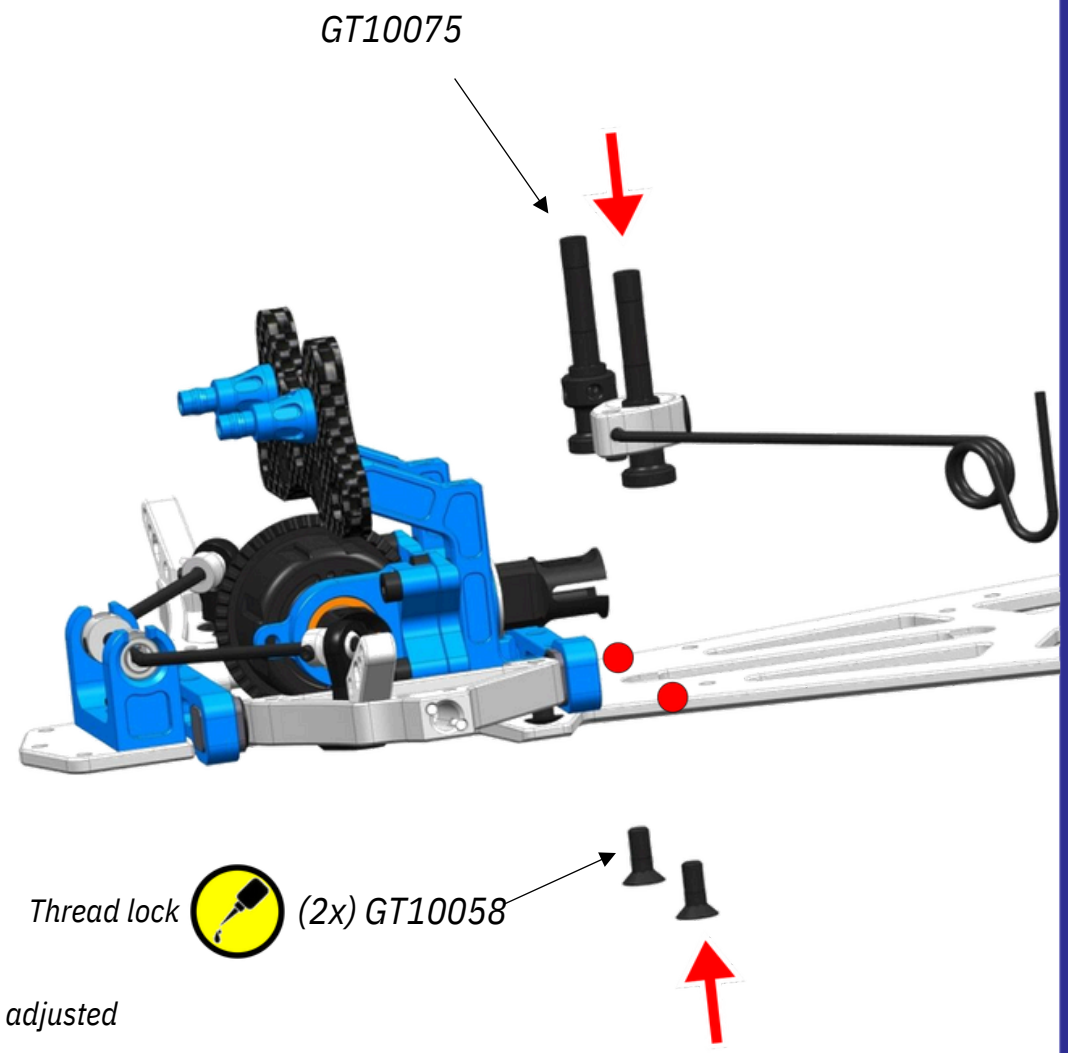
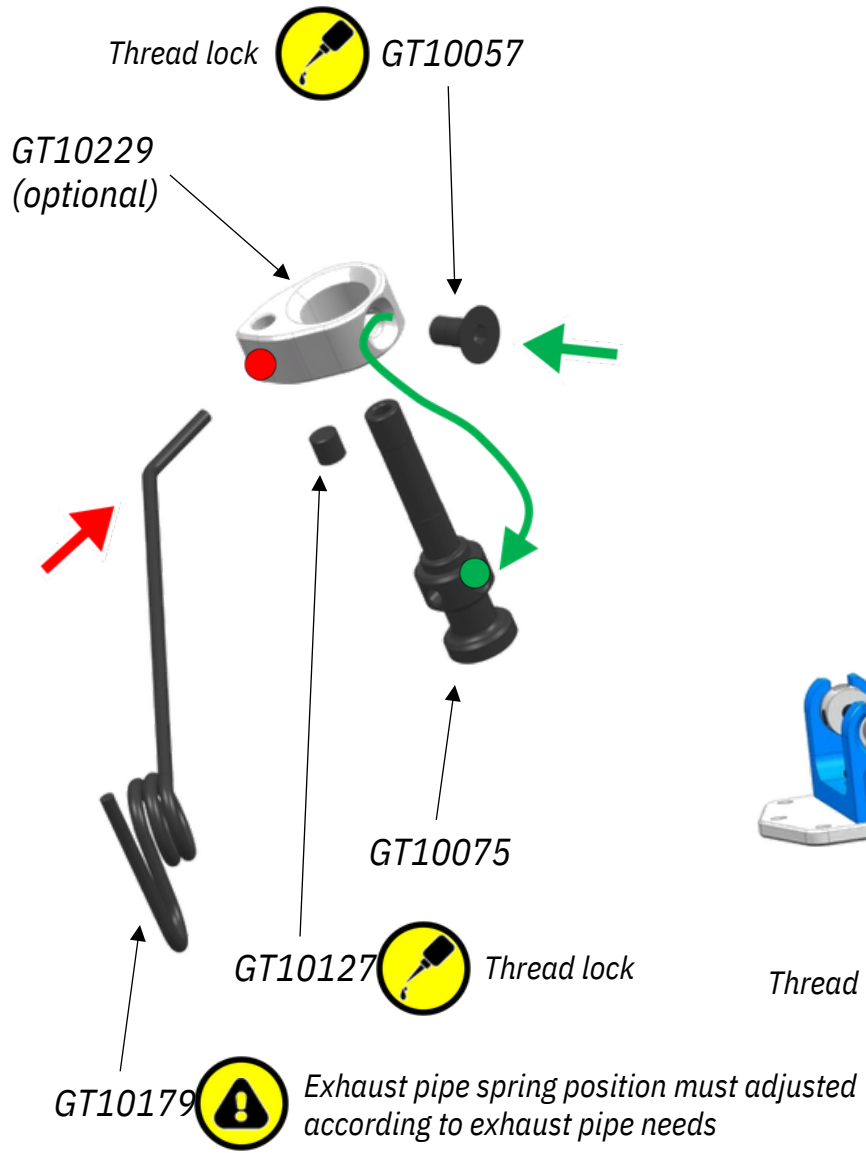


GT10085

BAG 10

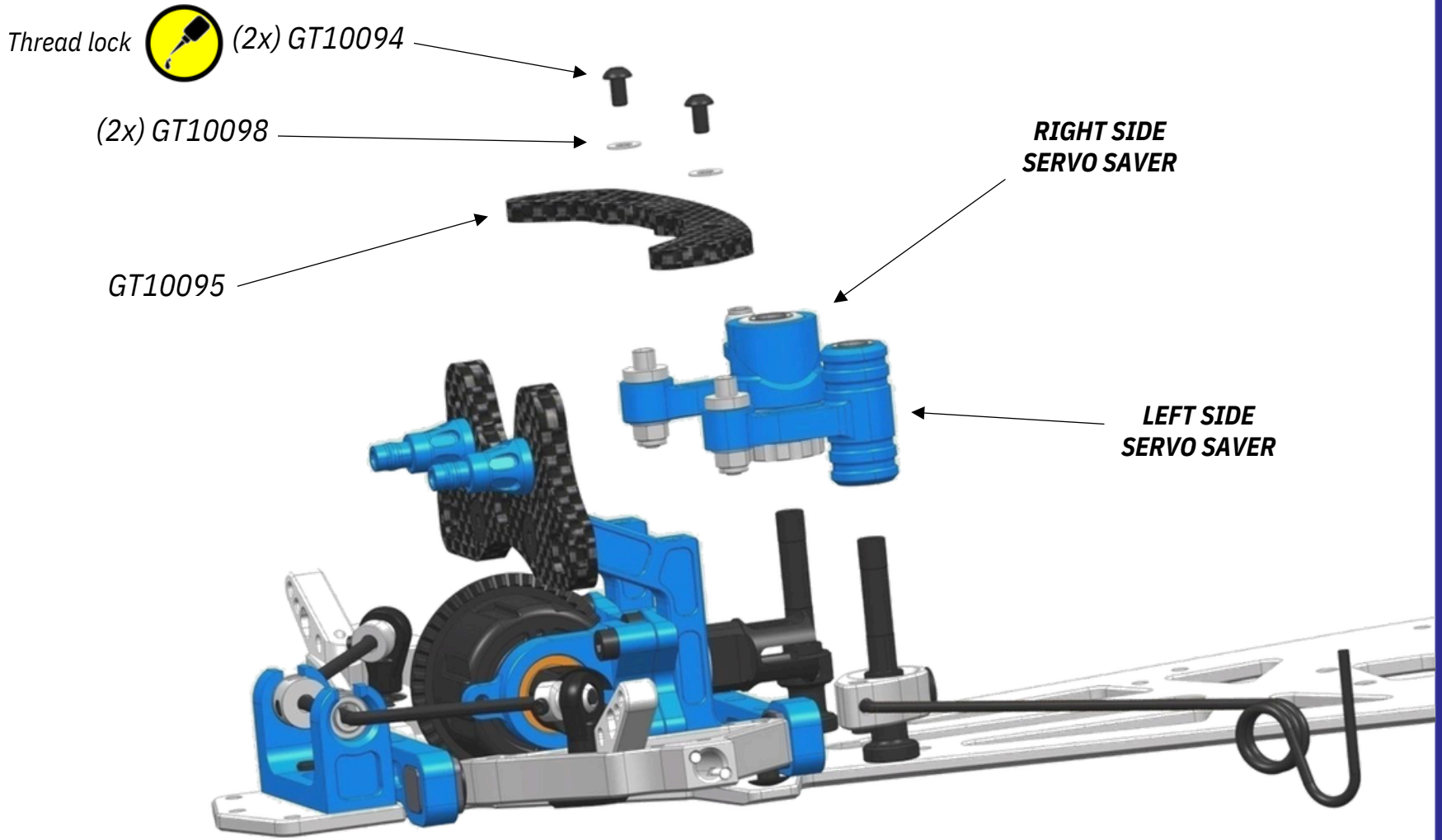
SteeringSystem - Step 2

Exhaust Pipe Spring Mounting



BAG 10

SteeringSystem – Step 3
Steering System Mounting








BAG 11

Parts included in the bag



43









Code	Part Name	Qty
GT10153	Front Upper Suspension Arm 	2
GT10089	Front Upper Suspension Arm Holder 	1
GT26.10116	Front Upright Central 	2
GT26.10117	Front Upright Upper 	2
GT10120	Upright Steering Plate Extension Adjusting 	2
GT10224	Nut M10x1 Pivot Ball 8.4mm 	2
GT10144	Adjusting Nut 	2
GT10122	M15x1 	2
GT10149	Pivot Ball 13.8mm 	2

Code	Part Name	Qty
GT10130	CVD Axle Shaft 	2
GT10131	Wheel Shaft Insert 	2
GT10124	Wheel Axle 	2
GT10125-0	Wheel Hub Offset 0 	2
GT10133	Turnbuckle 3x46mm Long Uniball Link 5.8mm 	2
GT10134	 4	4
GT10141	Suspension Bushing 	4
GT10056-7	Suspension Square Bushing 7 	4
GT10086	Uniball 5.8mm 	4
GT10155-1.0	Front Upper Arm Adjust 1.0mm 	2
GT10155-2.0	Front Upper Arm Adjust 2.0mm 	6

BAG 11

Parts included in the bag



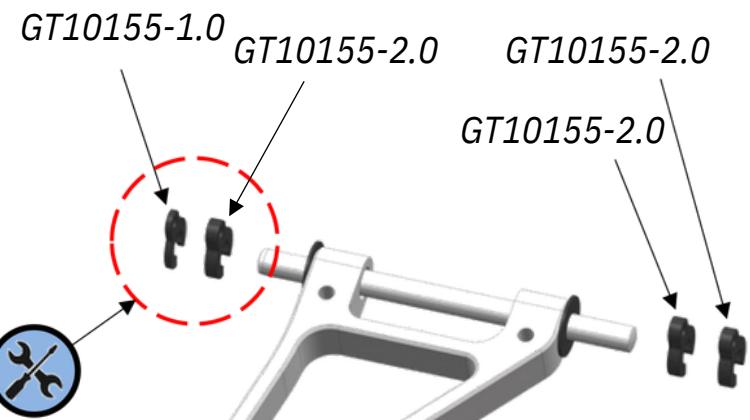
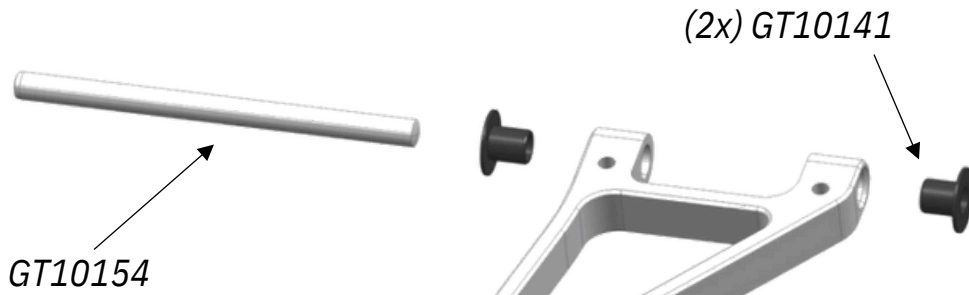
Code	Part Name		
GT10150-1.0	Front Pivot Shim 1.0mm		2
GT10122-OR	OR 10x1.5		2
GT10023	OR 16x1		2
GT10115	OR 18x1		2
GT10018	Flanged Bearing 8x16x5		2
GT10114	Flanged Bearing 12x18x4		2
GT10097	Shim 3x6x2.0		2
GT10220	Shim 3x6x4.0		2

Code	Part Name		Qty
GT10132	Parallel Pin 2.5x11.8		2
GT10126	Parallel Pin 2.5x15.8		2
GT10154	Parallel Pin 4x60		2
GT10127	Grub Screw M4x4		2
GT10045	Countersunk Head Cap Screw M3x12		2
GT10105	Countersunk Head Cap Screw M3x14		4
GT10096	Button Head Cap Screw M3x8		2
GT10222	Button Head Cap Screw M3x10		2
GT10146	Nylon Wire		

BAG 11

Front Upper Suspension Arms – Step 0
Suspension Arms Pre-assembly

BUILD 2XL/R



CASTER DEFAULT SETUP
3mm 6.5°



- 1mm 2.5°
- 2mm 4.0
- 3mm 6.5°
- 4mm 8.0°
- 5mm 9.0°
- 6mm 10.5°
- 7mm 12.0°

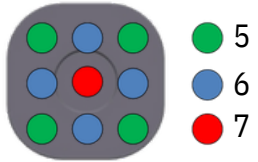
(2x) GT10146
Press-fit the nylon wire around
5mm into its seat and cut the
part of wire that sticks out



BAG 11

FrontUpper Suspension Arms – Step 1

Suspension Arms Mounting



DEFAULT SETUP
Square Bushing 7



(4x) GT10056-7

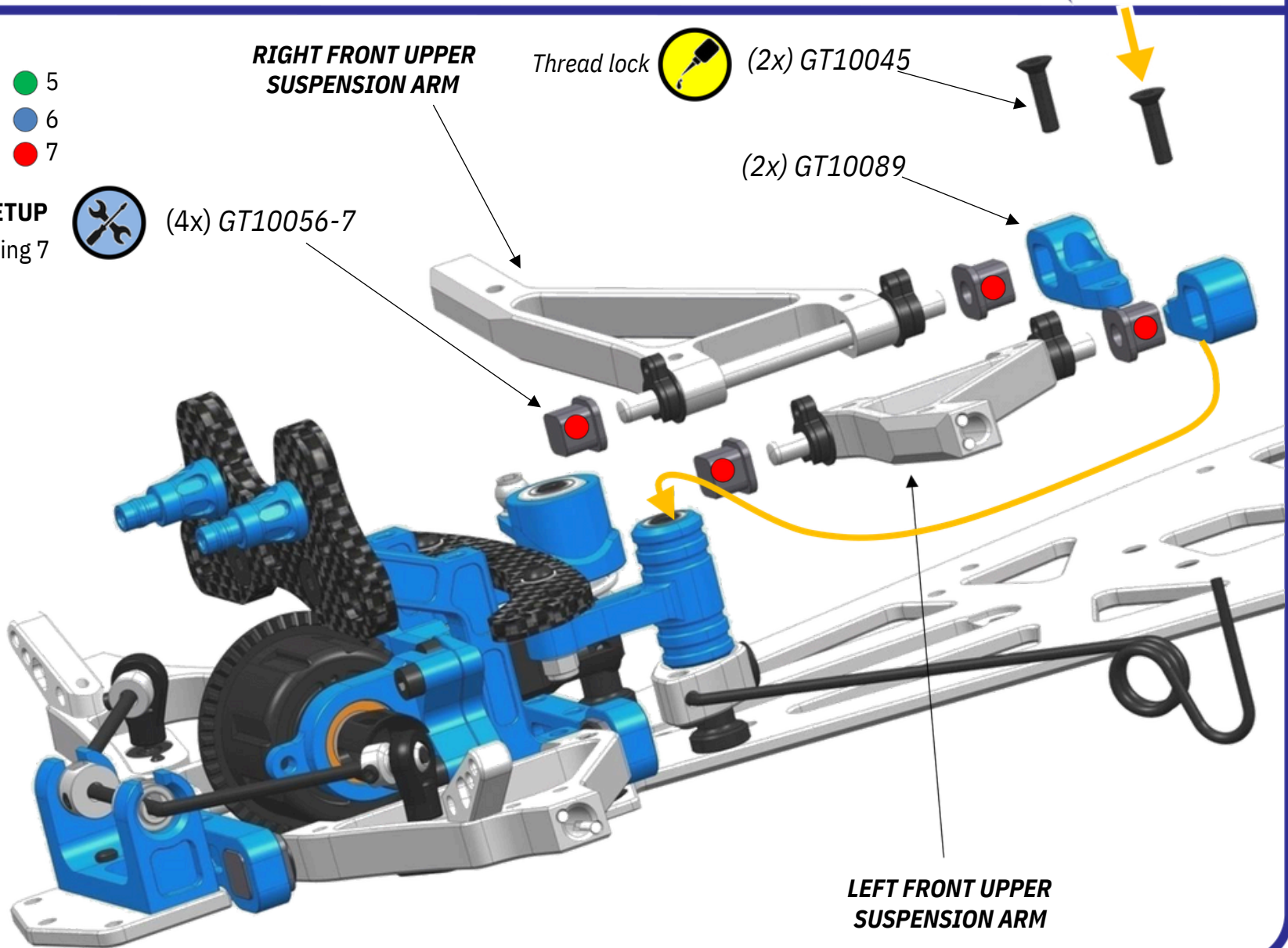
**RIGHT FRONT UPPER
SUSPENSION ARM**

Thread lock



(2x) GT10045

(2x) GT10089



**LEFT FRONT UPPER
SUSPENSION ARM**

BAG 11

FrontUprights - Step 1

Uprights Mounting



RIGHT FRONT UPRIGHT

LEFT FRONT UPRIGHT

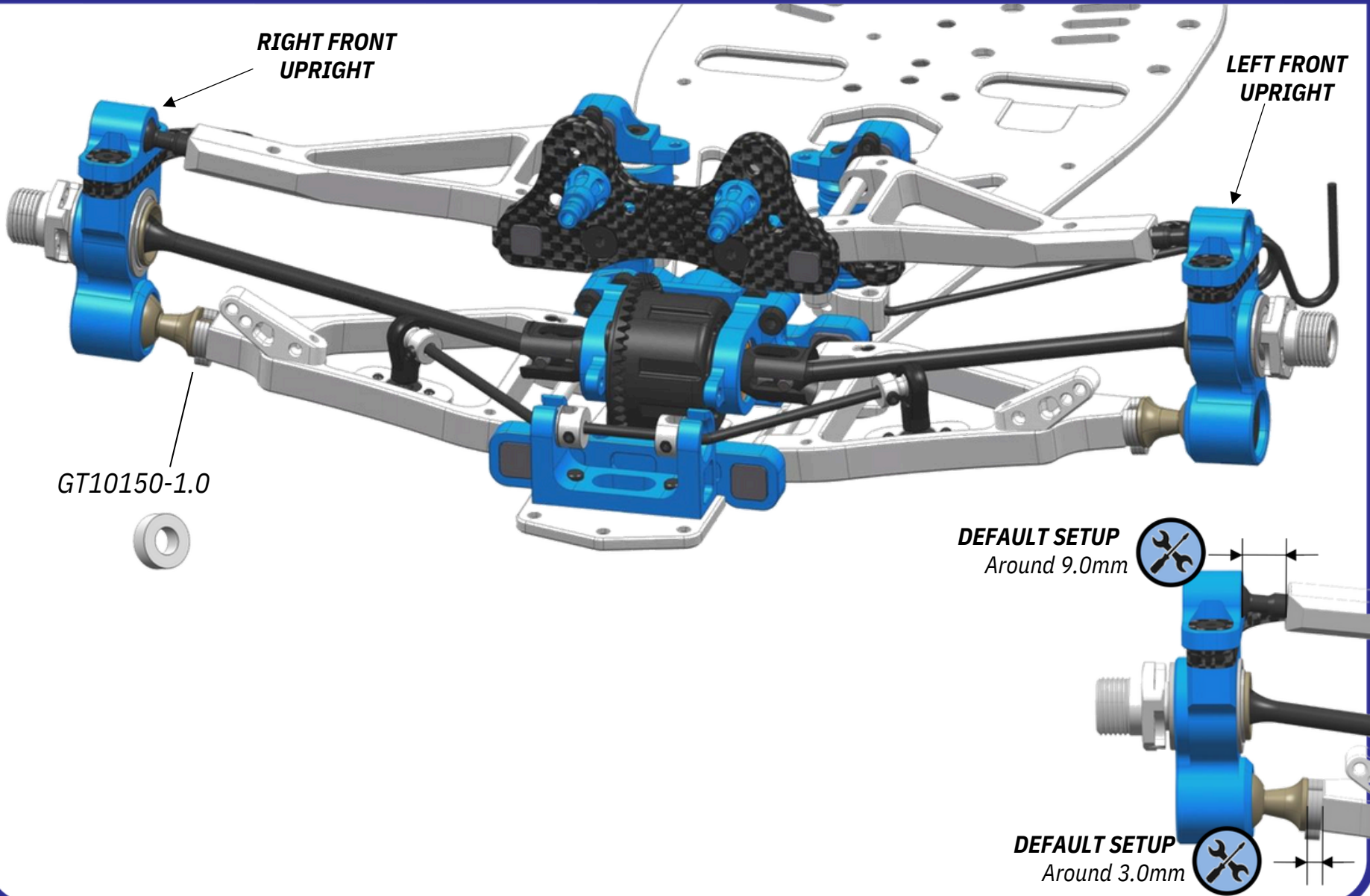
GT10150-1.0



DEFAULT SETUP
Around 9.0mm



DEFAULT SETUP
Around 3.0mm

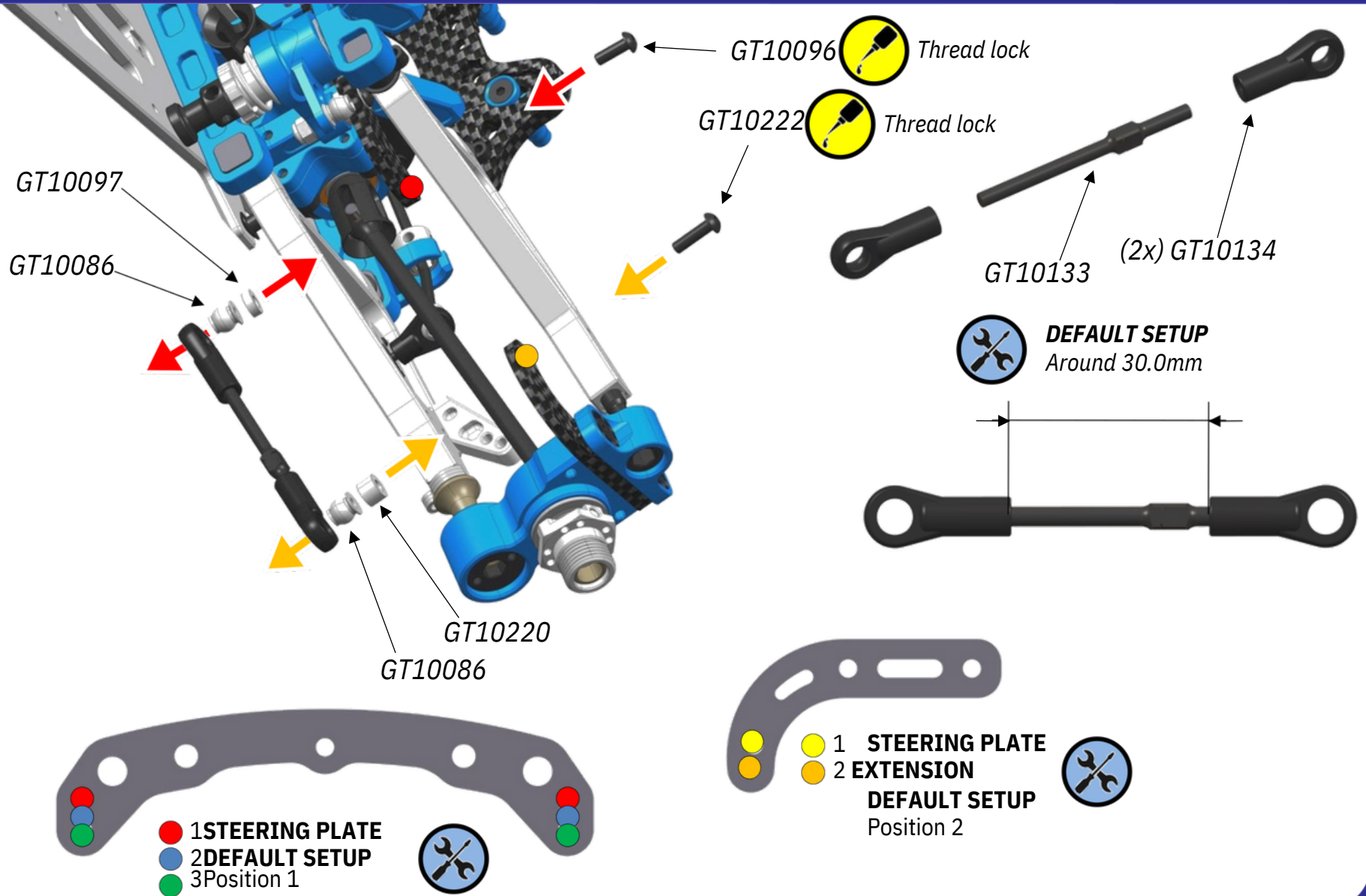


BAG 11

Steering Linkages

Steering Linkage Mounting

BUILD 2XL/R



BAG 12

Parts included in the bag



50

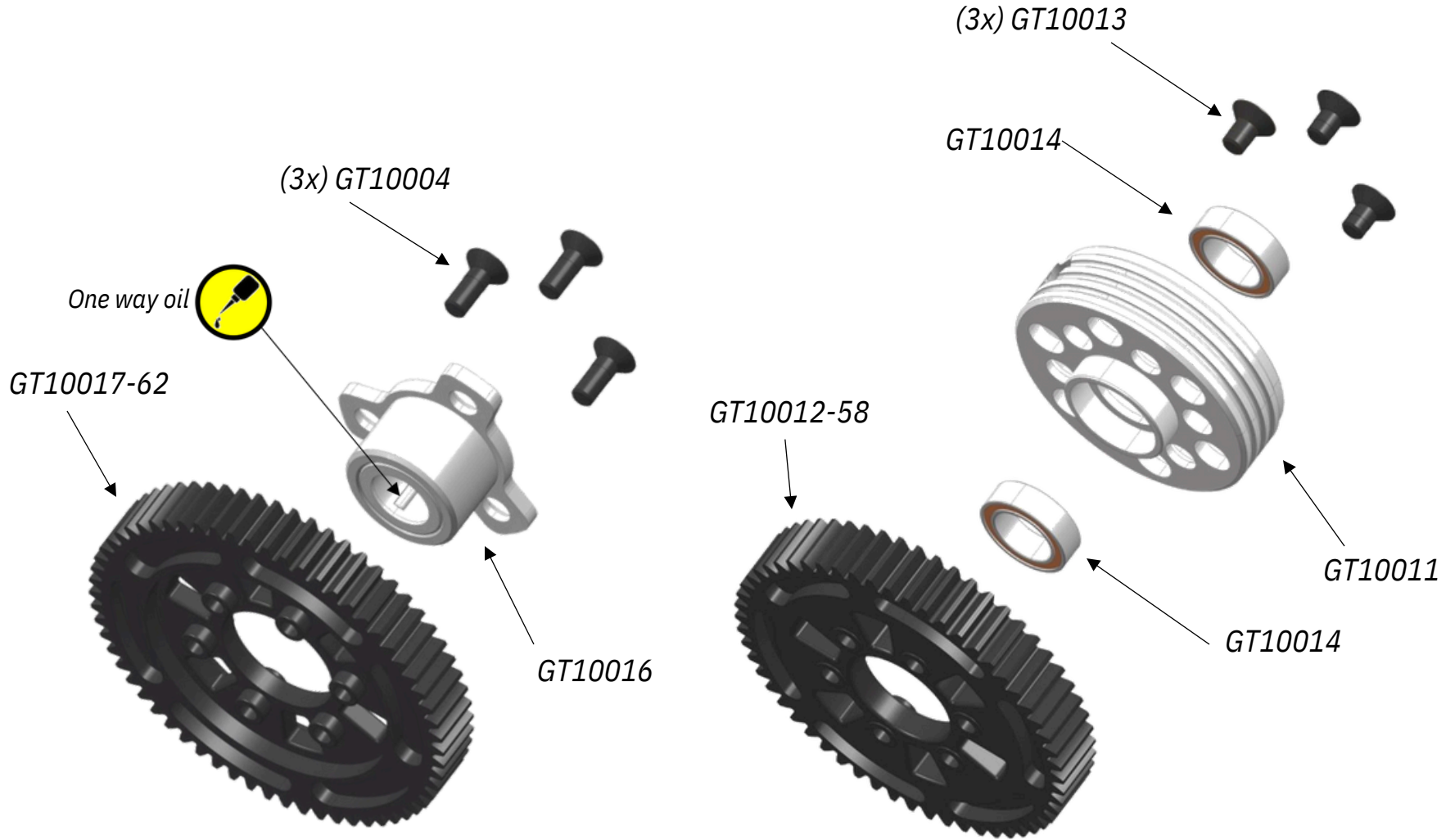
Code	Part Name		Qty
GT10017-62	1st Gear 0.8m 62t		1
GT10012-58	2nd Gear 0.8m 58t		1
GT10016	Flange 1st Gear		1
GT10011	Flange 2nd Gear		1
GT10001	2-Speed Gear Shaft		1
GT10005	2-Speed Shoe 2nd		2
GT10007	Speed Centrifugal Weights		2
GT10009	2nd Speed Screw Bushing		2
GT100098	Gear Box Screw M2.5x10		2
GT10010	Gear Box Hard Spring		2
GT10002	Central Shaft Driver		2

Code	Part Name		Qty
GT10014	Bearing 8x12x3.5		2
GT10018	Flanged Bearing 8x16x5		2
GT10015	Shim 8x10x0.2		3
GT10003	Parallel Pin 2.5x7.8		2
GT10006	Grub Screw M3x3		2
GT10013	Countersunk Head Cap Screw M3x5		3
GT10004	Countersunk Head Cap Screw M3x8		5

BAG 12

2-Speed Transmission – Step 0

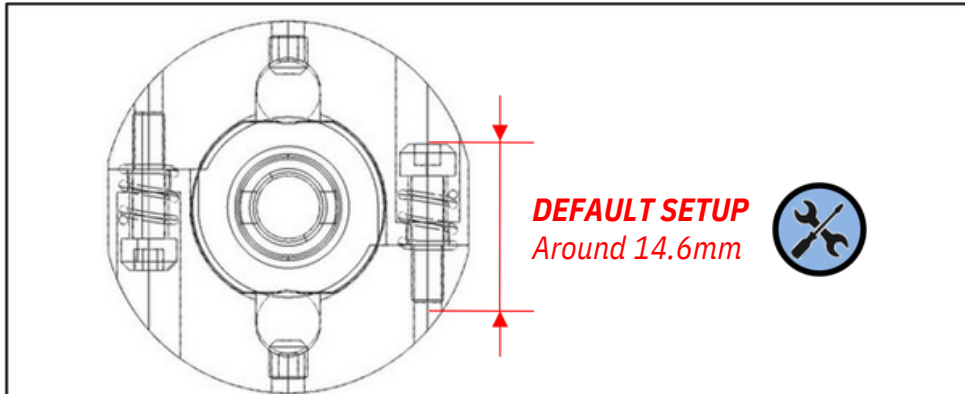
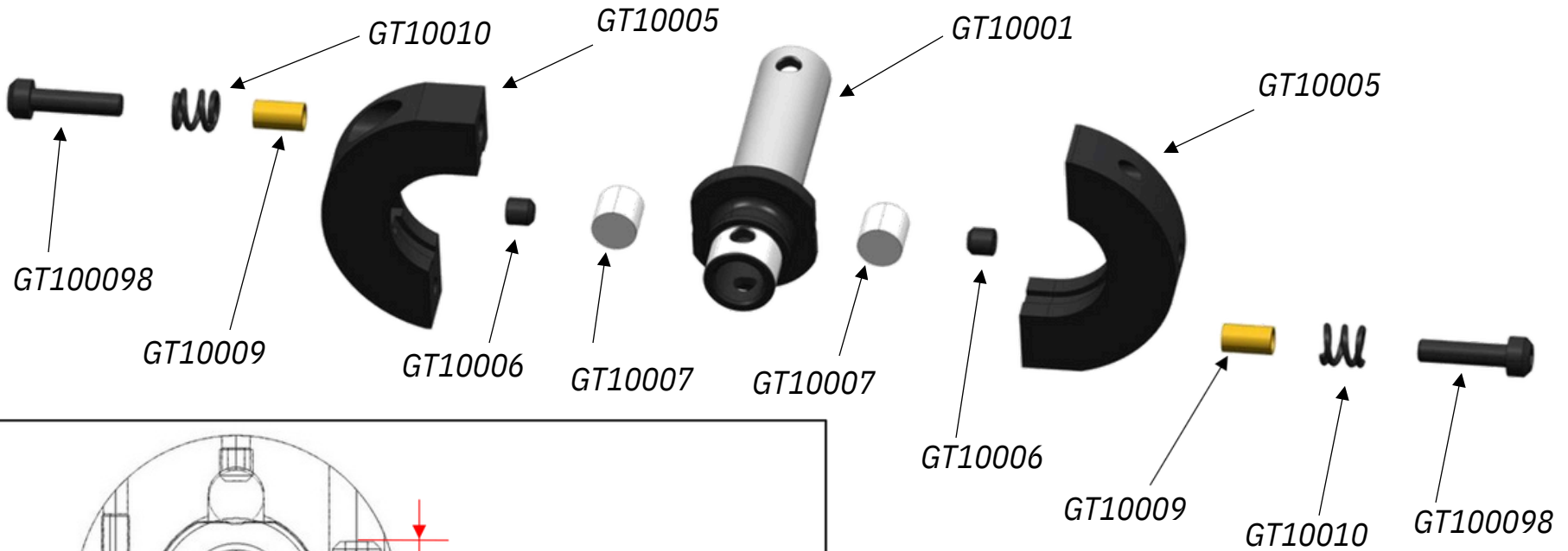
1st & 2nd Gears Pre-assembly



BAG 12

2-Speed Transmission – Step 1

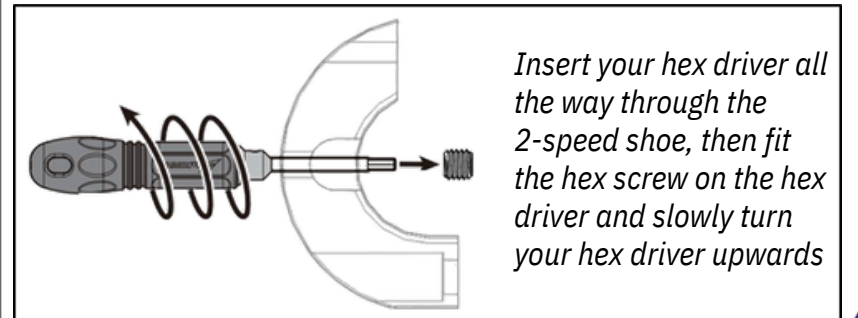
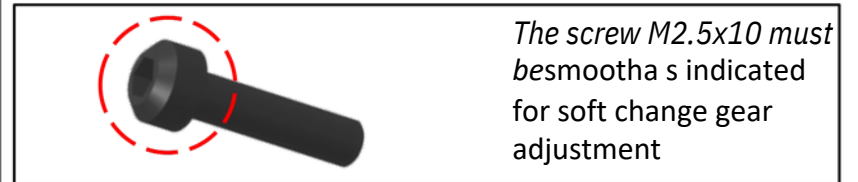
2-Speed Shoes Mounting

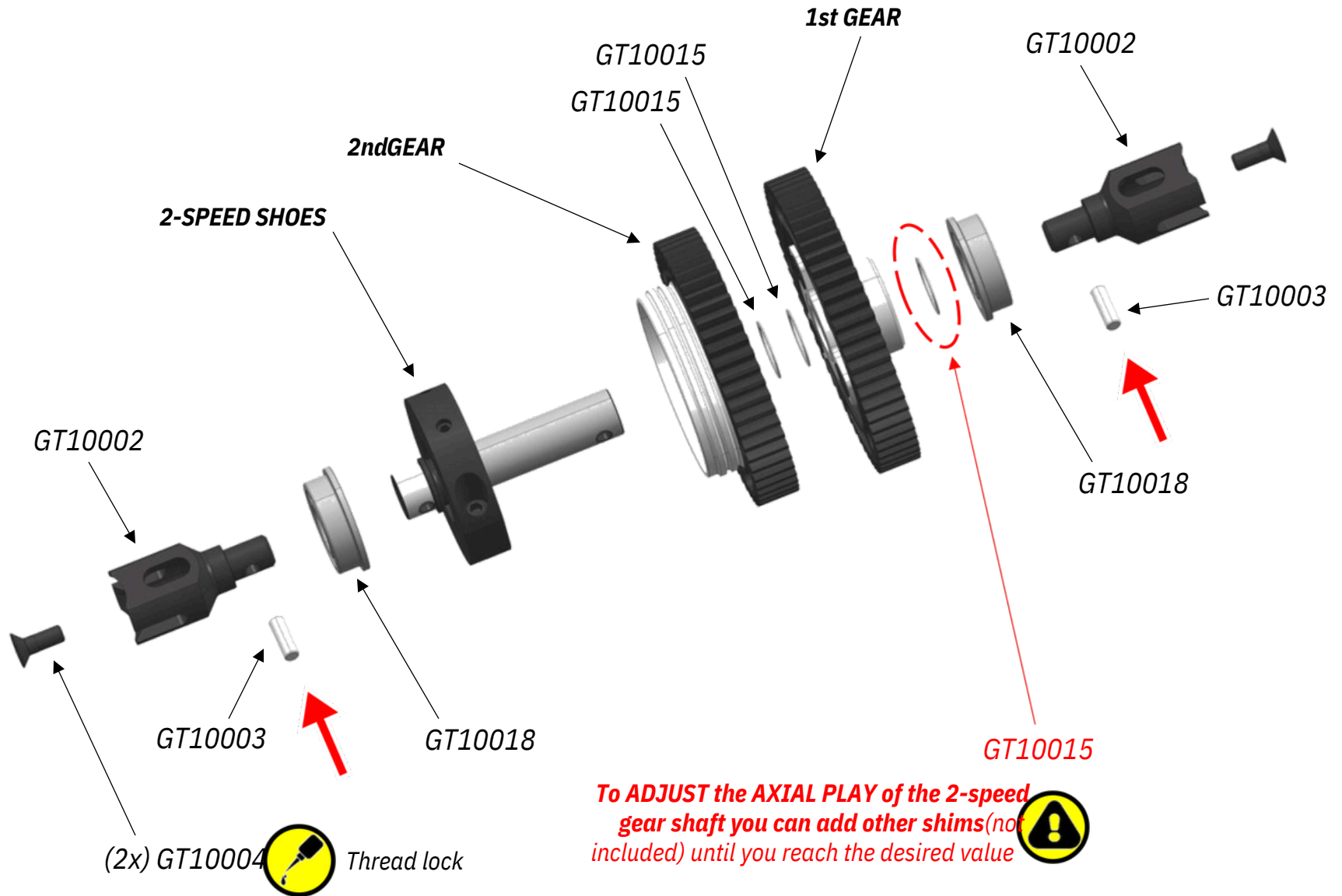


1. Tighten the screws M2.5x10 gently until you get a small gap between the two clutch shoes

2. Adjust the two screws M2.5x10 in equal mode

Note: By tightening the screws, the 2 speed clutch will engage later, while loosening the screws will make the 2 speed clutch engage earlier









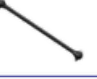

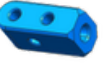


BAG 13

Parts included in the bag



54

Code	Part Name	Qty
GT10020	Front Center Differential Mounting Plate 	1
GT10021	Rear Center Differential Mounting Plate	1
GT10022	Upper Center Differential Mounting Plate 	2
GT10033	Brake Pad Stopper 	1
GT10024	Brake Lever 	1
GT10025	Brake Camshaft 	1
GT10029	Cylindrical Brake Slider 	1
GT10030	Brake Pads 	1
GT10031	Brake Springs 	1
GT10035	Ventilated Brake Disc 	1

Code	Part Name	Qty
GT10019	Gear Box Plate 	1
GT10088	Front Bulkhead Plate 	1
GT10233	Rear Stiffener Rod 	1
GT10099	Rear Central Driveshaft 	1
GT10100	Front Central Driveshaft 	1
GT10091-3.5	Chassis Brace Arm 3.5mm 	2
GT10093	Chassis Brace Rear Bulkhead Fixation 	1
GT10193	Throttle T Joint 	1
GT10134	Long Uniball Link 5.8mm 	2

BAG 13

Parts included in the bag



55

Code	Part Name		Qty
GT10086	Uniball 5.8mm		2
GT10023	OR16x1		2
GT10028	Flanged Bearing 5x8x2.5		2
GT10231	Shim 3x6x1.0		1
GT10097	Shim 3x6x2.0		1
GT10065	Self-locking Nut M2.5		1
GT10226	Chamfered Washer M4		2
GT10194	Socket Head Cap Screw M2.5x12		1
GT10034	Socket Head Cap Screw M2.5x14		2

Code	Part Name		Qty
GT10027	Countersunk Head Cap Screw M3x6		2
GT10004	Countersunk Head Cap Screw M3x8		1
GT10026	Button Head Cap Screw M3x4		1
GT10140	Button Head Cap Screw M3x6		8
GT10222	Button Head Cap Screw M3x10		1
GT10232	Button Head Cap Screw M3x16		1
GT10090	Button Head Cap Screw Flange M3x30		4
GT10057	Countersunk Head Cap Screw M4x8		2
GT10058	Countersunk Head Cap Screw M4x10		7

BAG 13

Gearbox-Step 0

Brake System Pre-assembly



Adjust the nut position to set the desired break disc play between the brake pads



Use a lubricant for the OR assembly to prevent tears, twisting, pinching, cutting and abrasion of the rubber



GT10193 Leave the throttle T Joint free to rotate and move just a bit axially



GT10004 Thread lock



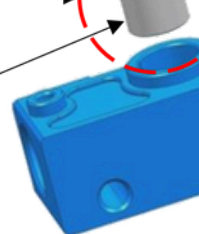
GT10065 Graphite grease



GT10024

GT10025

GT10029

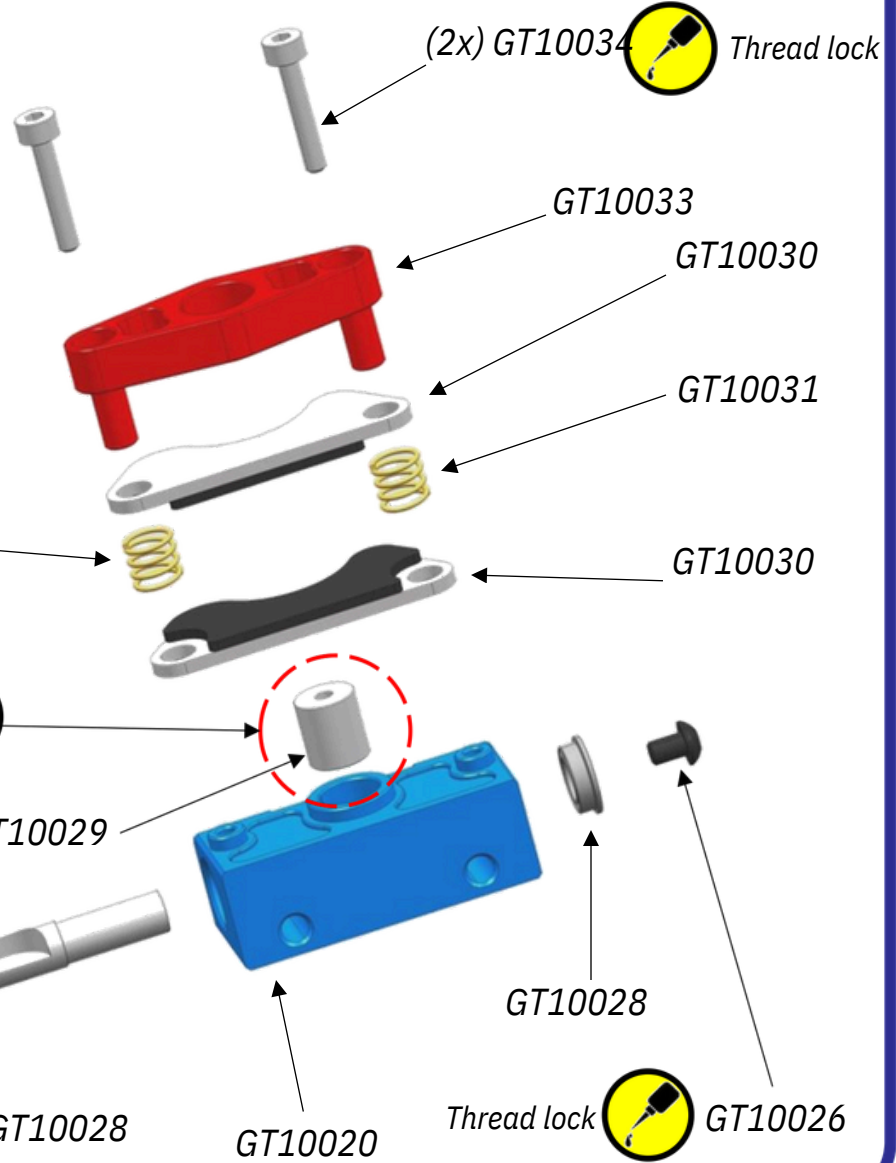


GT10028

GT10020

Thread lock

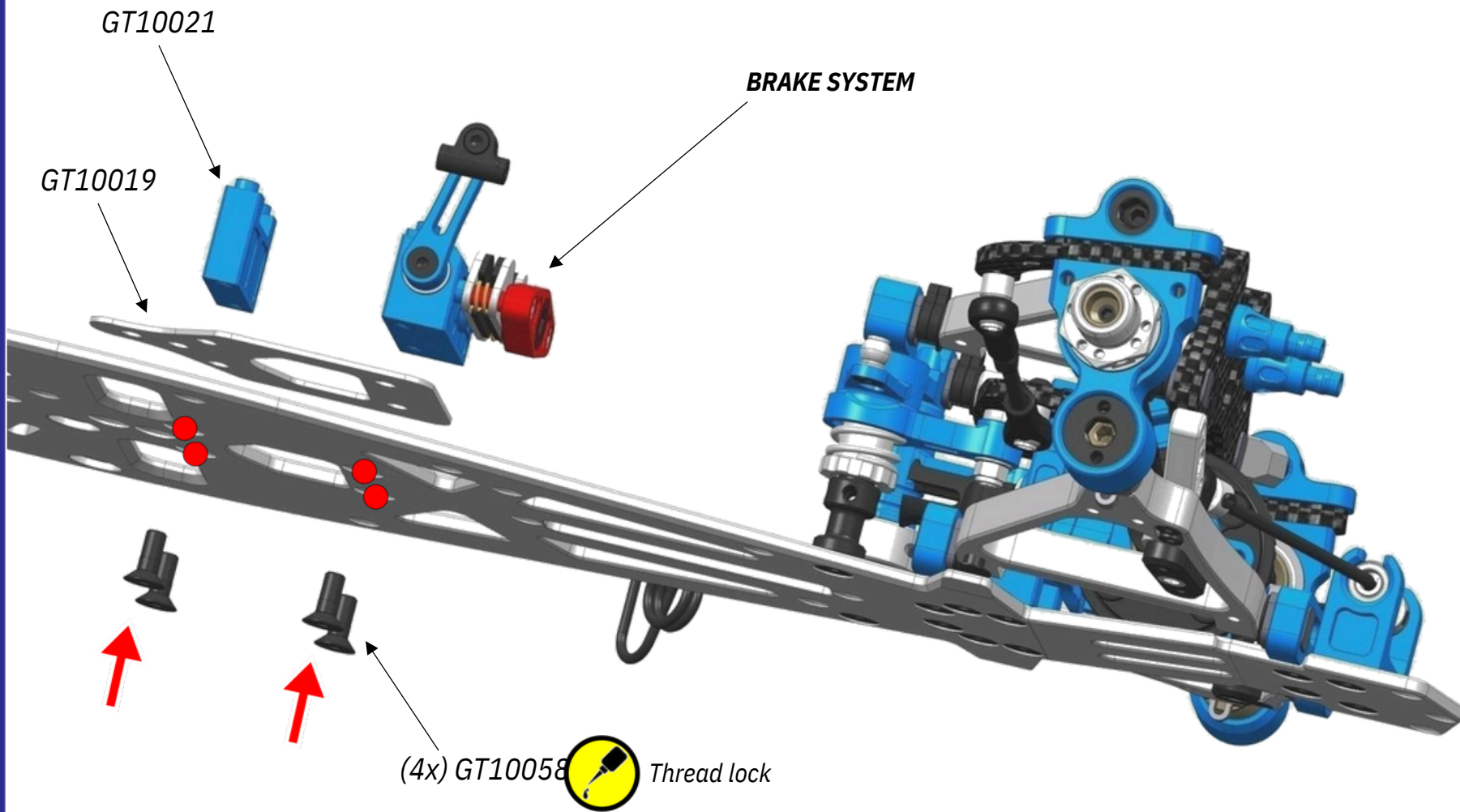
GT10026



BAG 13

Gearbox-Step 1

Brake System Mounting



BAG 13

Rear Stiffener - Step 1

Stiffener Mounting

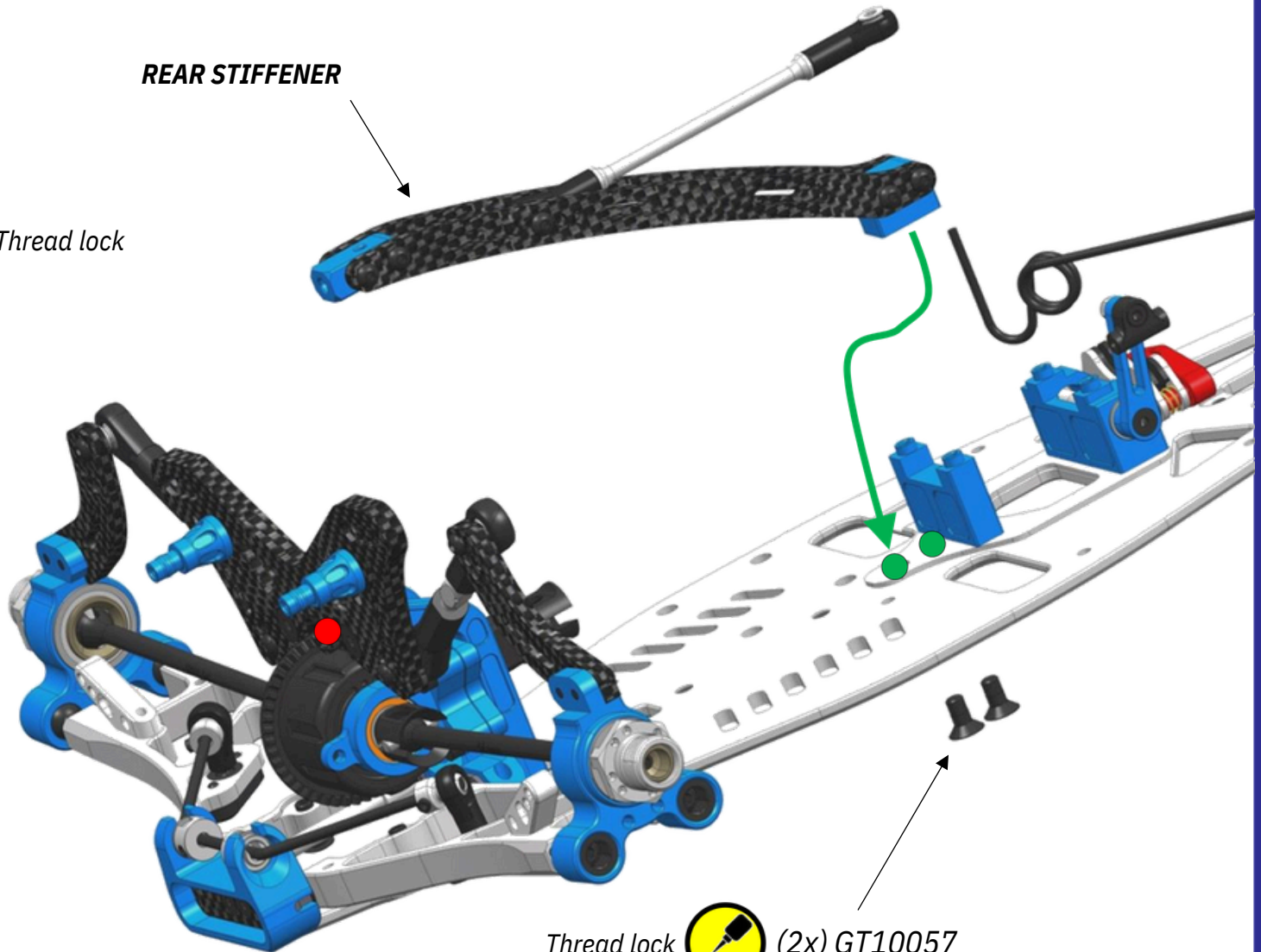


REAR STIFFENER

GT10058



Thread lock



Thread lock



(2x) GT10057

**2-SPEED
TRANSMISSION**

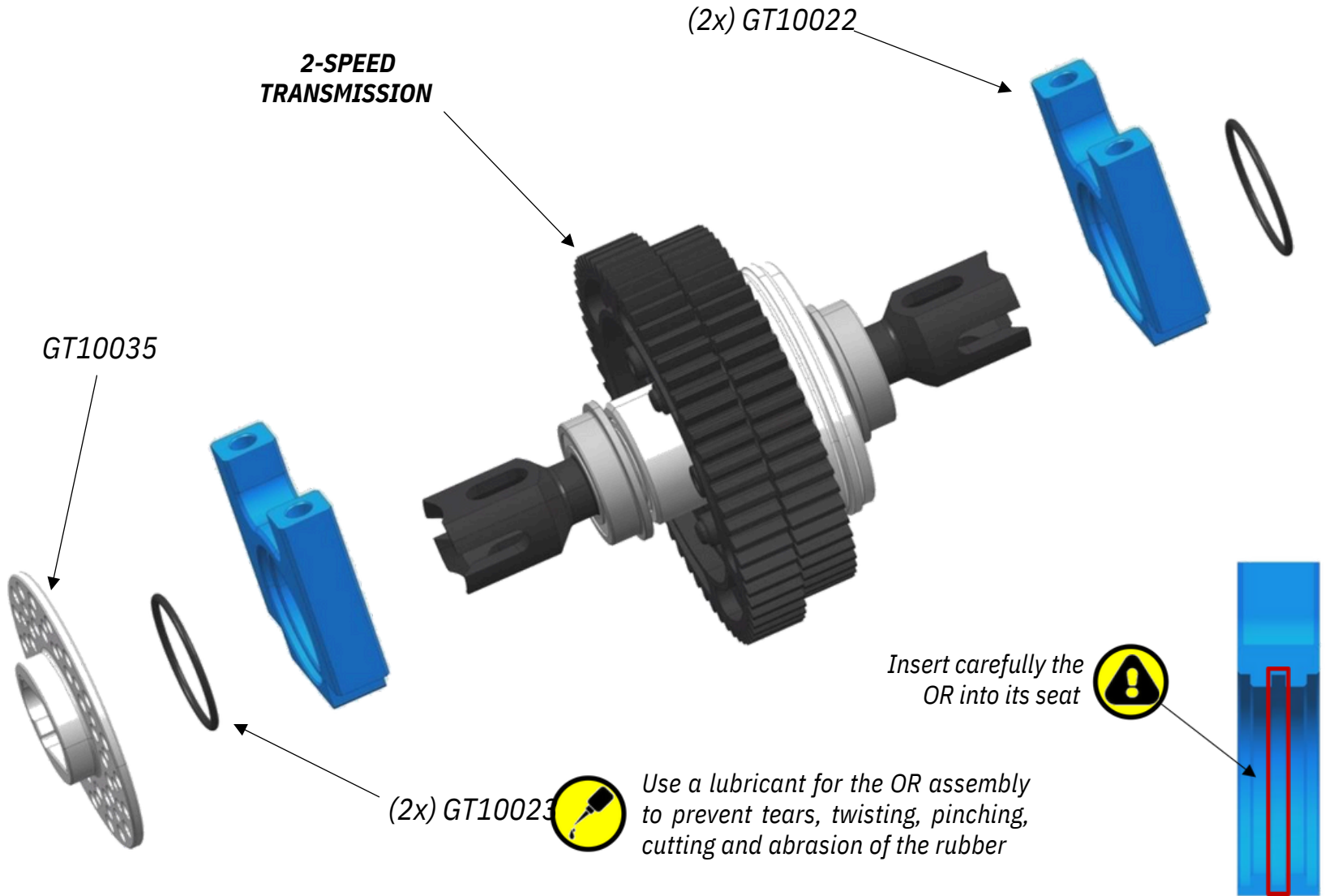
(2x) GT10022

GT10035

(2x) GT10023

Insert carefully the
OR into its seat

Use a lubricant for the OR assembly
to prevent tears, twisting, pinching,
cutting and abrasion of the rubber



BAG 13

Gearbox-Step 3



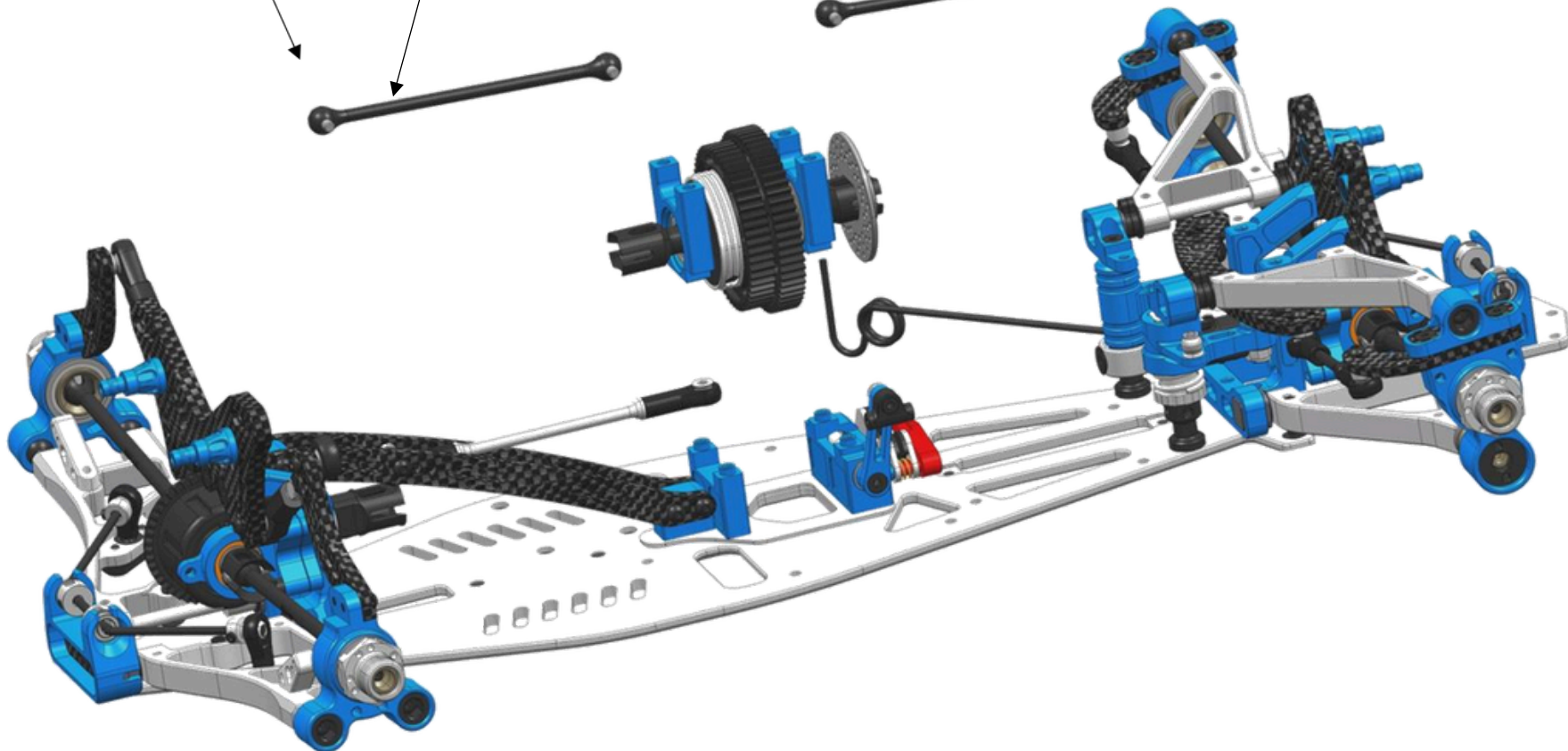
(4x) Graphite grease

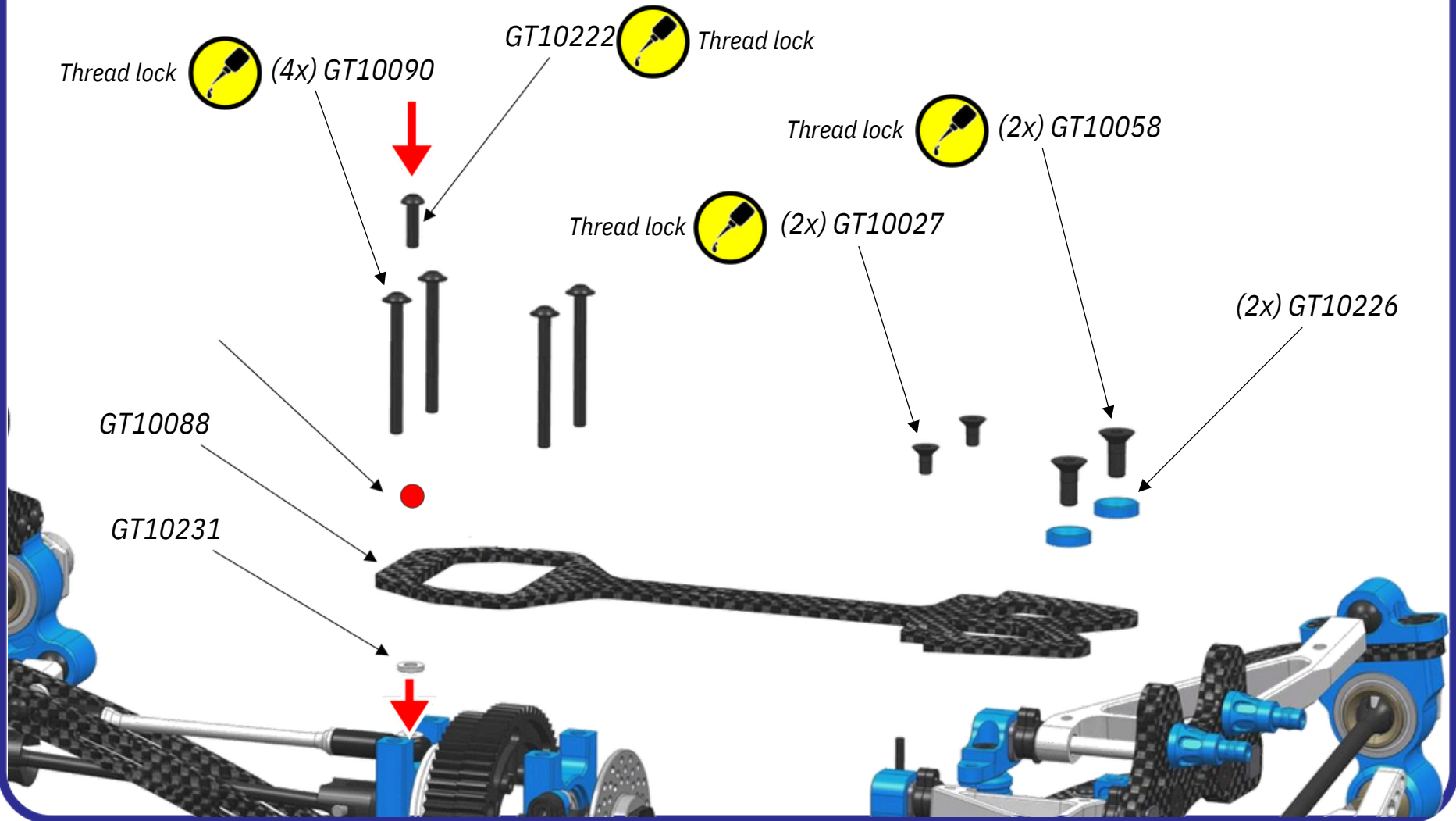


GT10099



GT10100





Thread lock (4x) GT10090

GT10222 Thread lock

Thread lock (2x) GT10058

Thread lock (2x) GT10027

(2x) GT10226

GT10088


GT10231






BAG 14

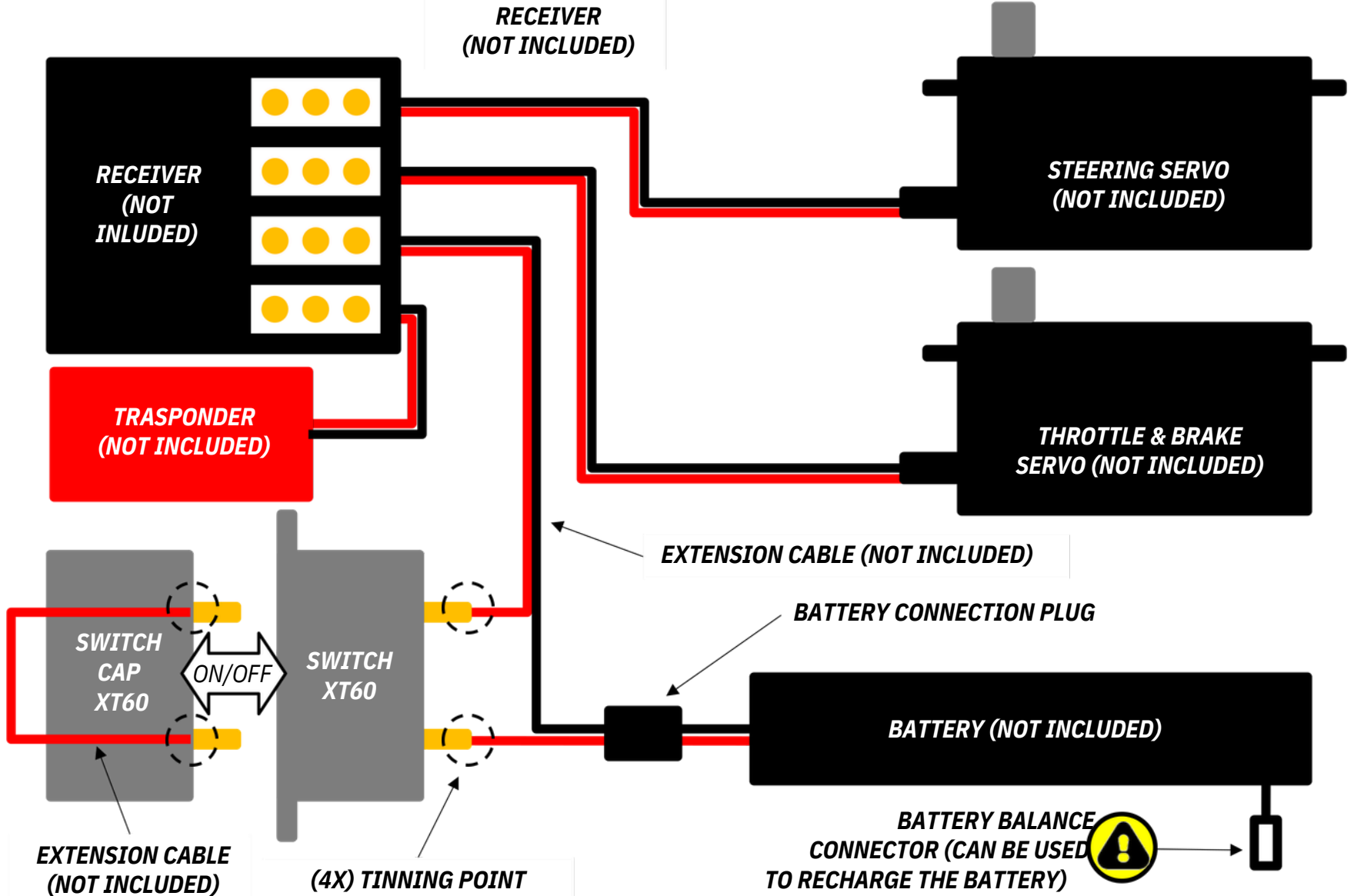
Parts included in the bag



63

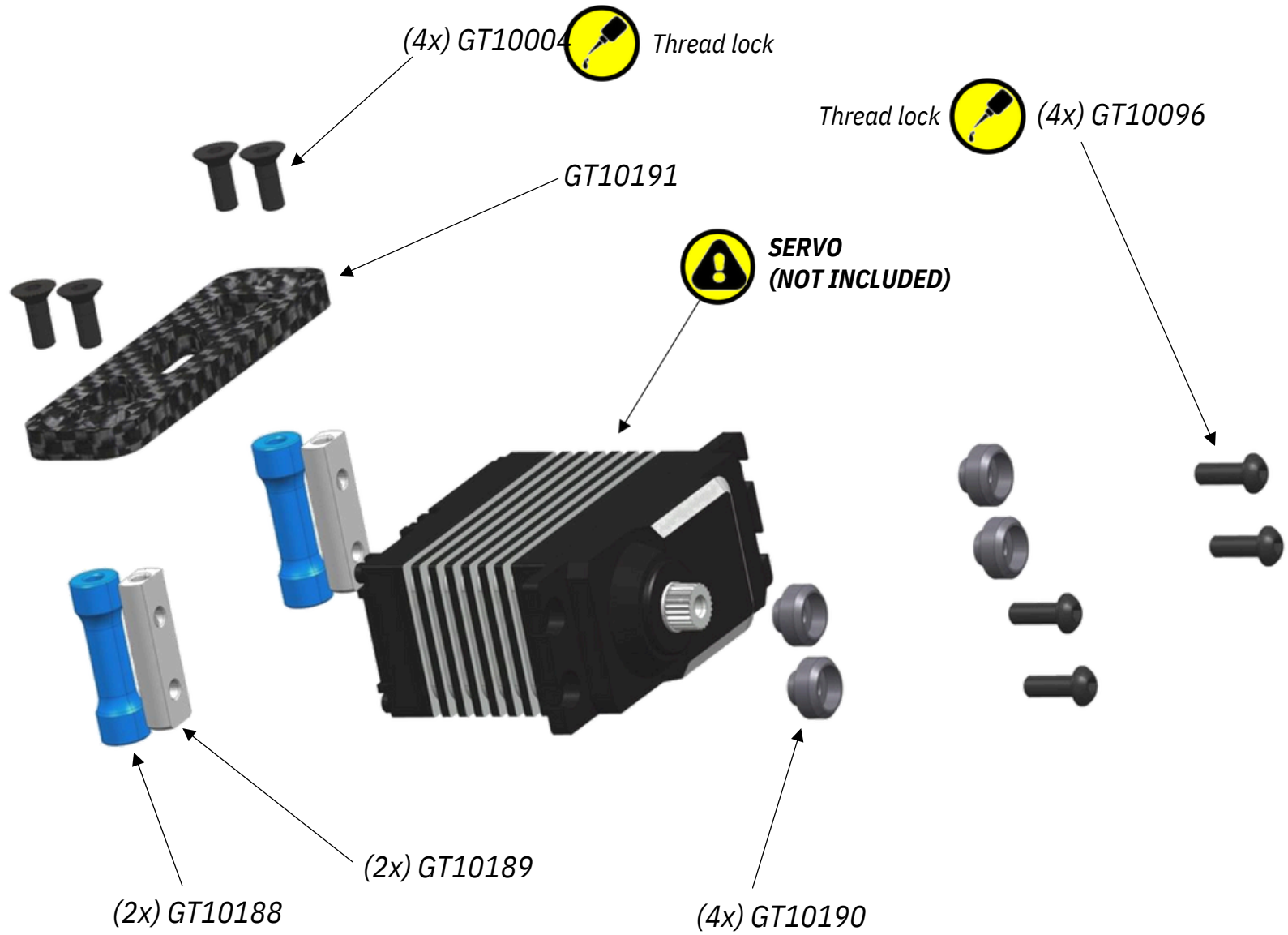
Code	Part Name		Qty
GT10191	Steering Radioplate		1
GT10181	Radioplate Battery		1
GT10236	& Receiver Box		1
GT10185	Receiver Box Cover		1
GT10184	Battery Box Cover		1
GT10188	Column M3 22mm		5
GT10189	Servo Holder		4
GT10190	Servo Bushing		8
GT10187	Brake Throttle Arm Column		1
GT10186	Antenna Pipe & Cap		1

Code	Part Name		
GT10074	M3 Socket Head Cap		2
GT10183	Screw M2.5x8 Countersunk Head Cap		11
GT10004	Screw M3x8 Countersunk Head Cap		15
GT10045	Screw M3x12 Button Head Cap		2
GT10096	Screw M3x8		8



BAG 14

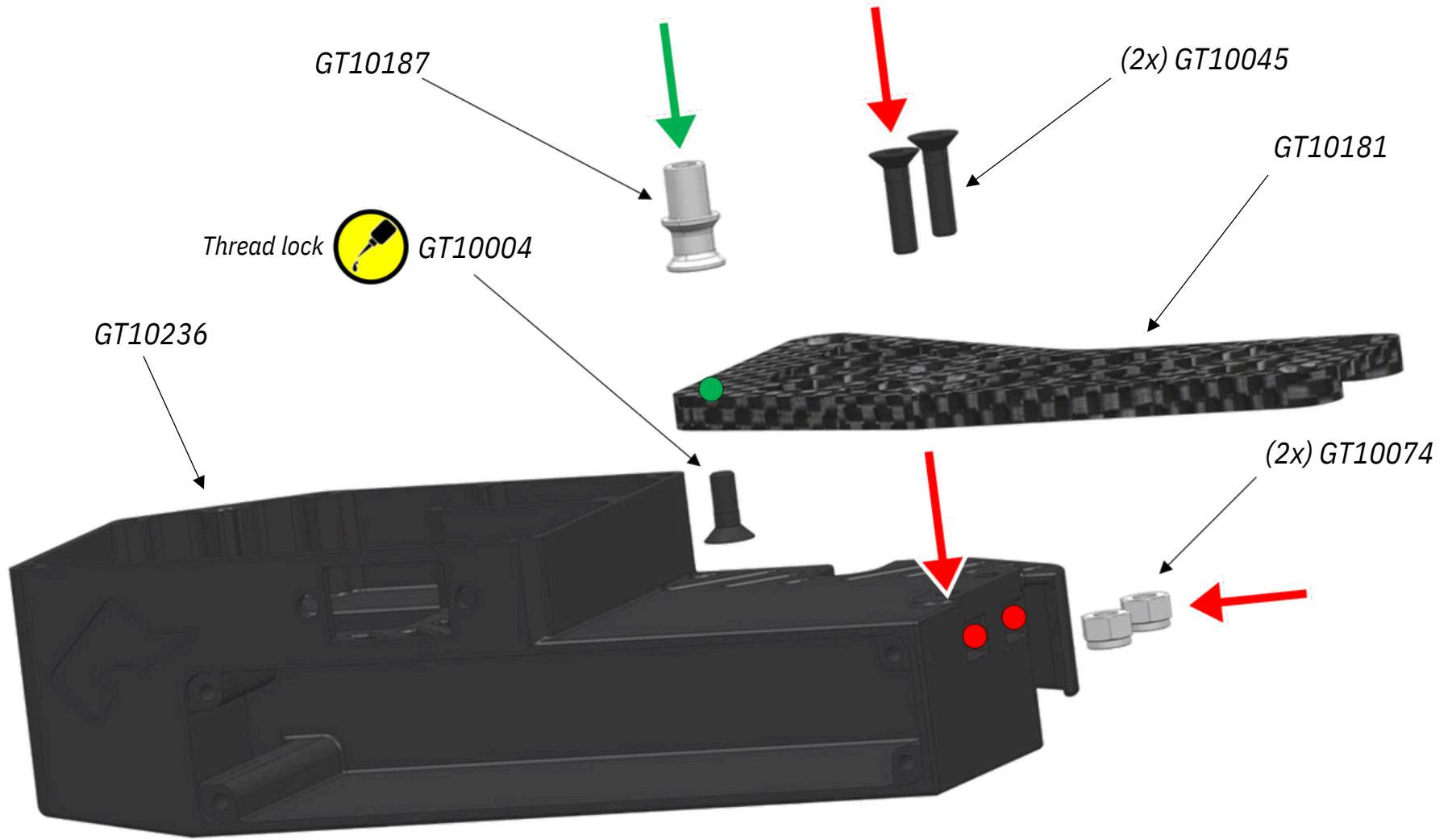
Radioplate - Step 0
Steering Radioplate Pre-assembly



BAG 14

Radioplate - Step 1

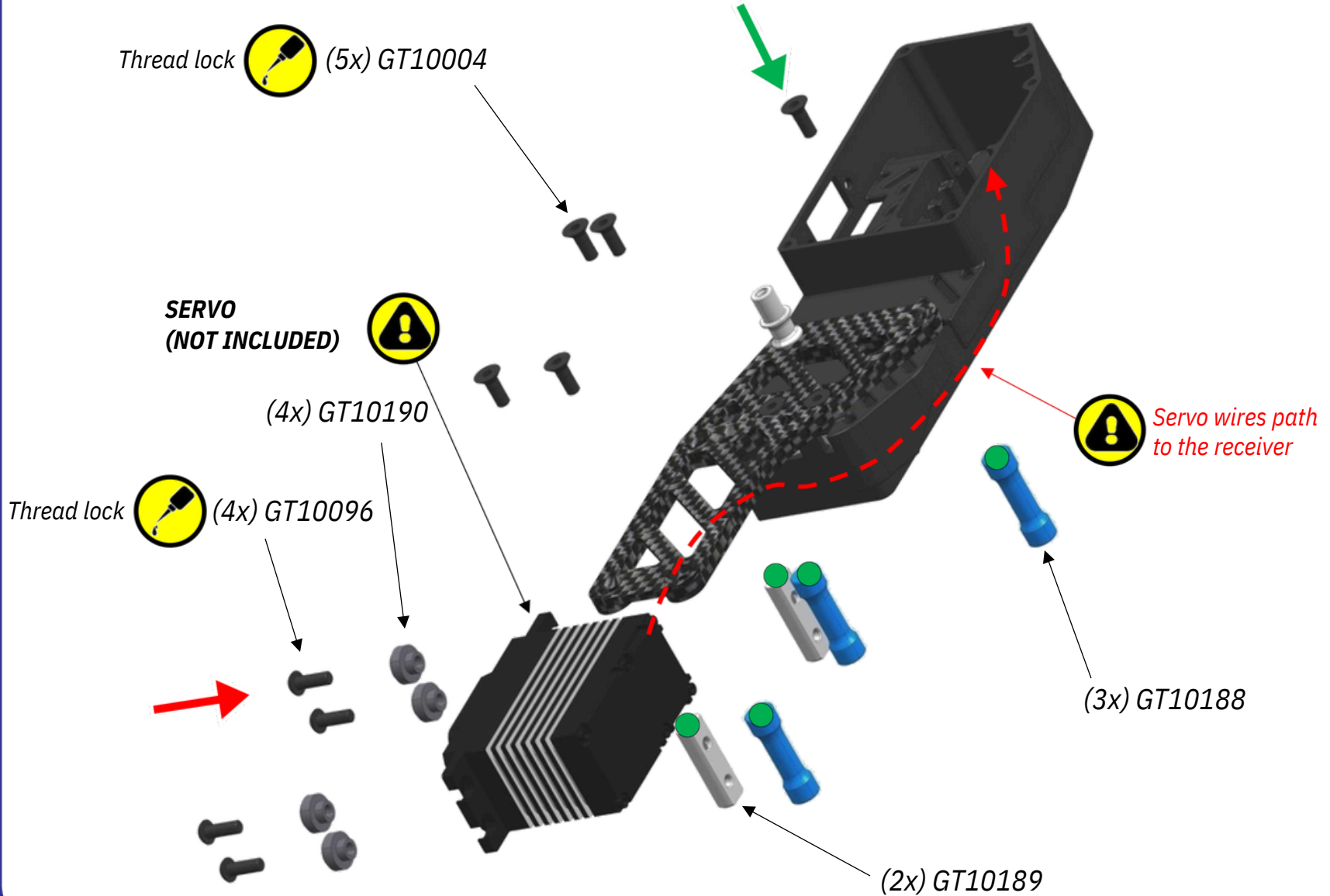
Throttle & Brake Radioplate Pre-assembly



BAG 14

Radioplate - Step 2

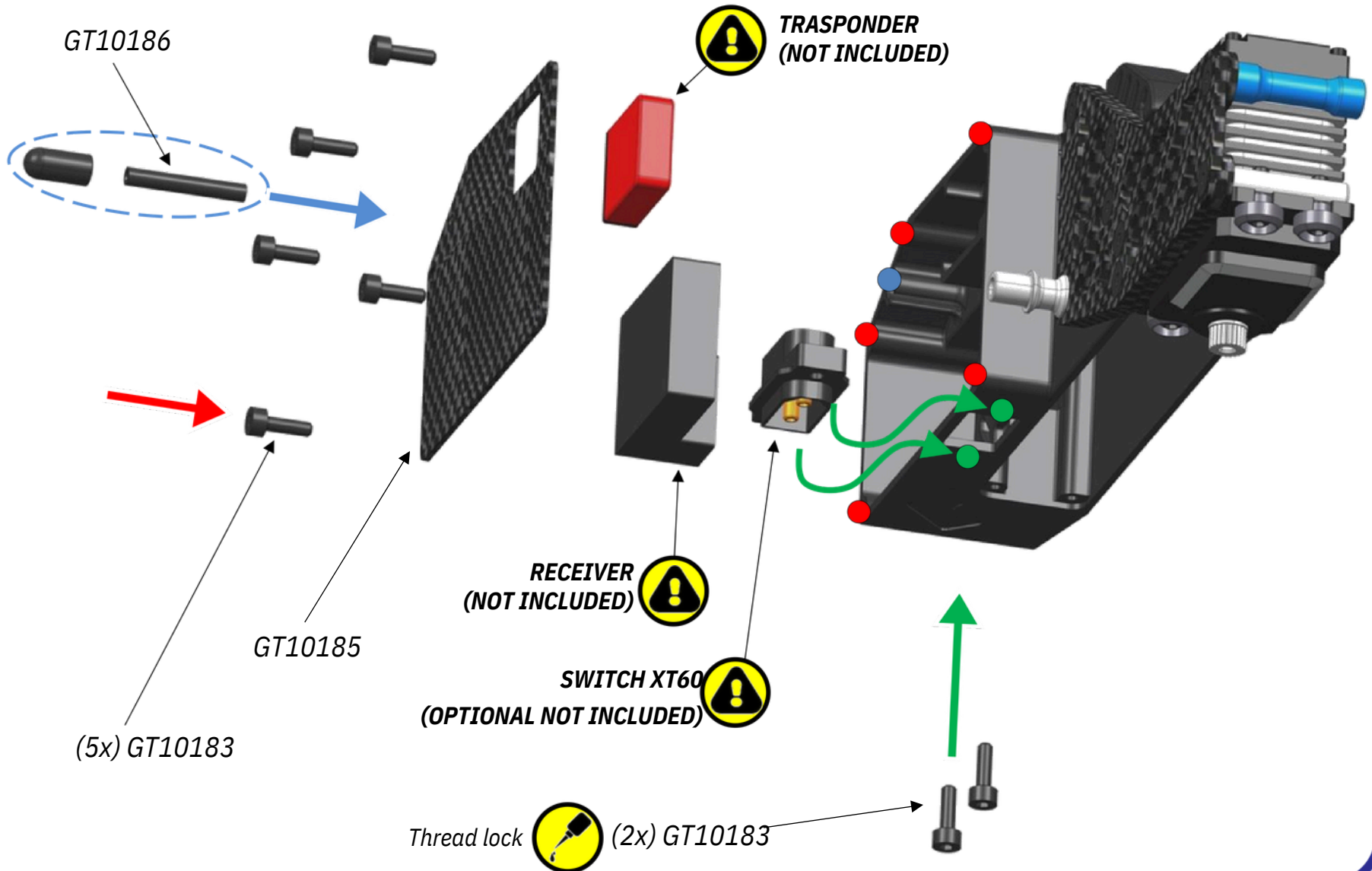
Throttle & Brake Radioplate Pre-assembly



BAG 14

Radioplate - Step 3

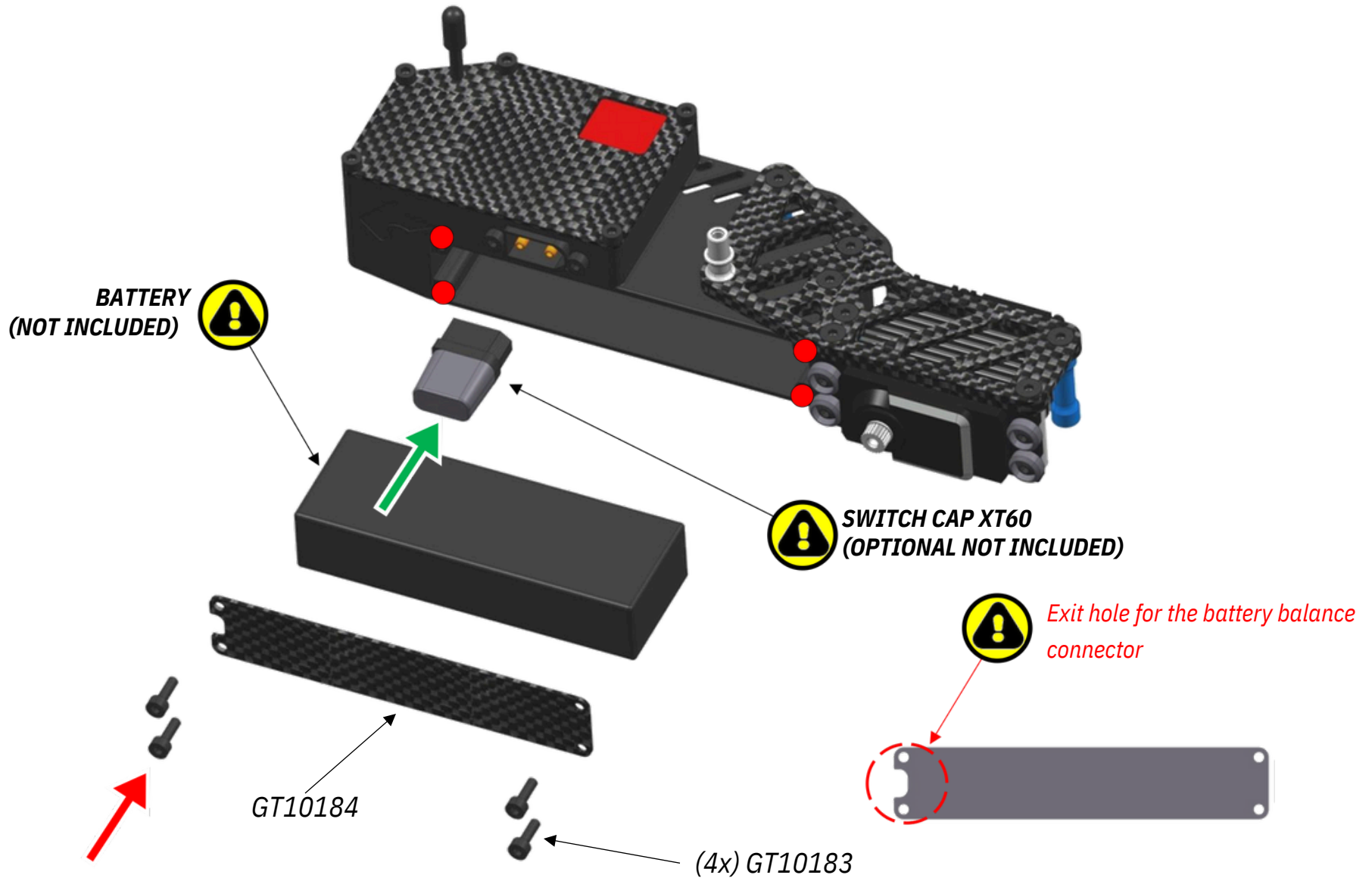
Throttle & Brake Radioplate Pre-assembly



BAG 14

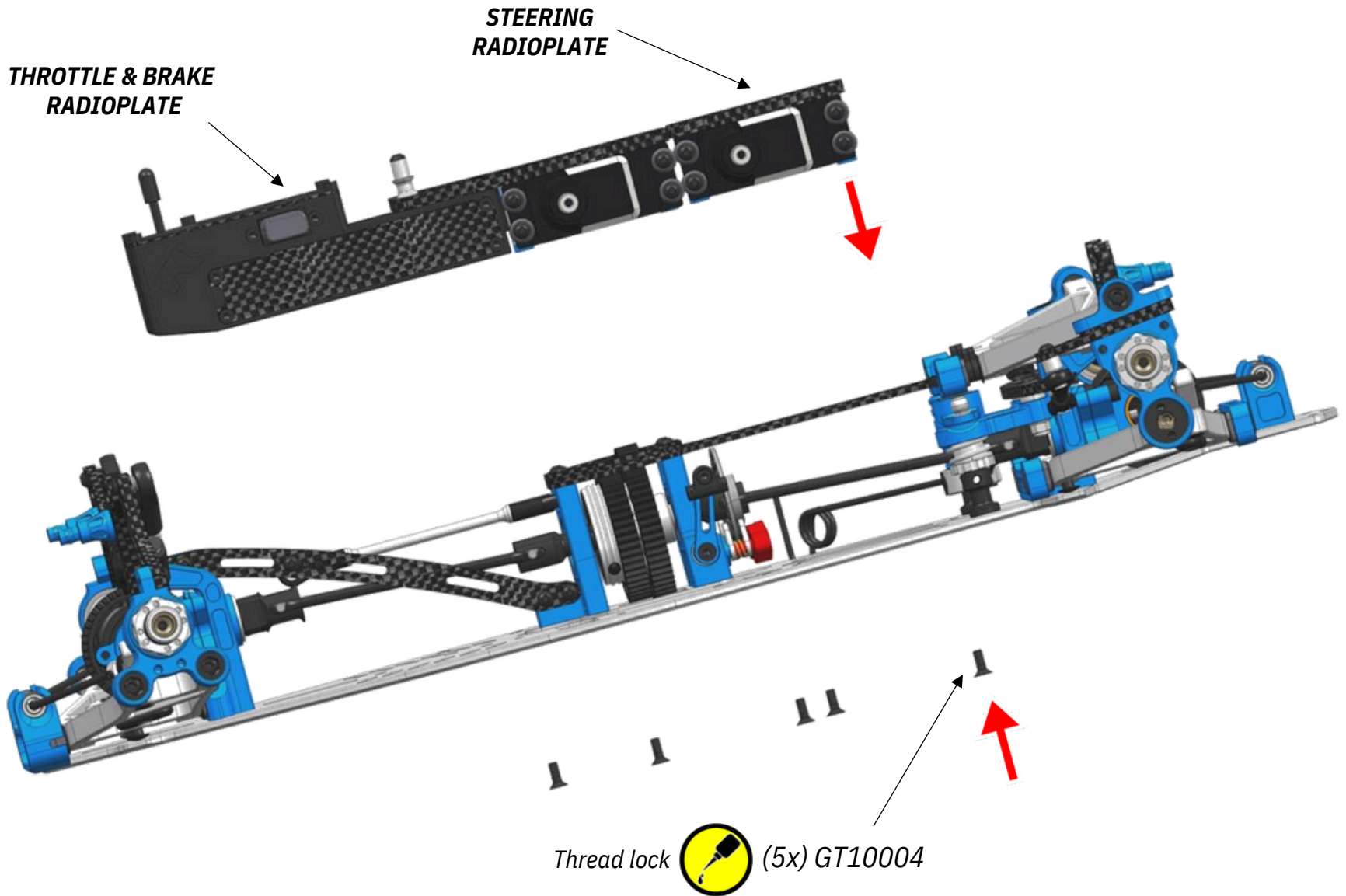
Radioplate - Step 4

Throttle & Brake Radioplate Pre-assembly



BAG 14

Radioplate - Step 5
Radioplate Mounting





















BAG 15

Parts included in the bag



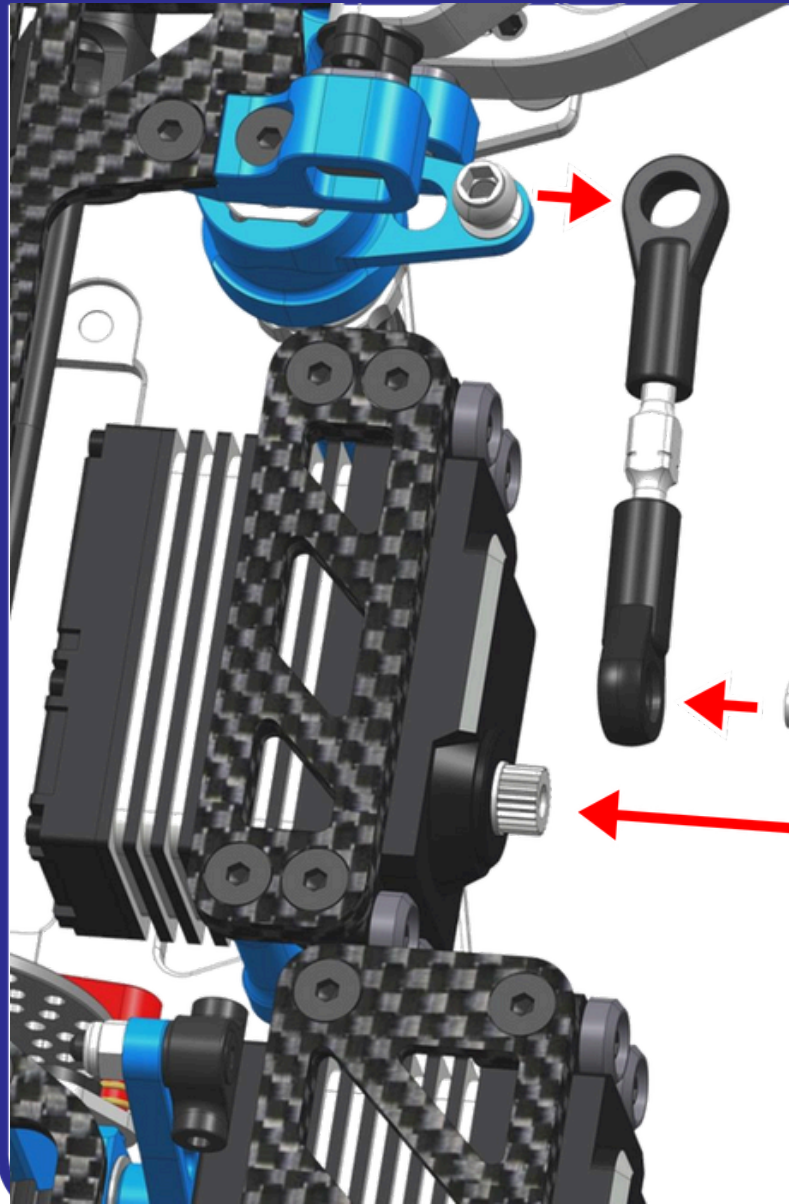
71

Code	Part Name		Qty
GT10200	Servo Lever		1
GT10192	Brake Throttle Arm		1
GT10199	Turnbuckle 3x27mm		2
GT10195	Throttle Linkage		1
GT10201	Brake Linkage		1
GT10196	Throttle Spring		1
GT10193	Throttle T Joint		1
GT10198	Carburetor Linkage		1
GT10134	Long Uniball Link 5.8mm		4
GT10086	Uniball 5.8mm		3
GT10197	Collar		4

Code	Part Name		Qty
GT10028	Flanged Bearing 5x8x2.5		2
GT10123	Shim 3x6x3.0		1
GT10220	Shim 3x6x4.0		1
GT10065	Self-locking Nut M2.5		1
GT10006	Grub Screw M3x3		4
GT10234	Socket Head Cap Screw M2.5x16		1
GT10140	Button Head Cap Screw M3x6		5
GT10222	Button Head Cap Screw M3x10		1

BAG 15

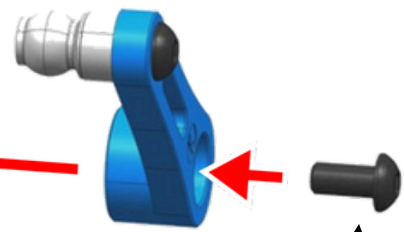
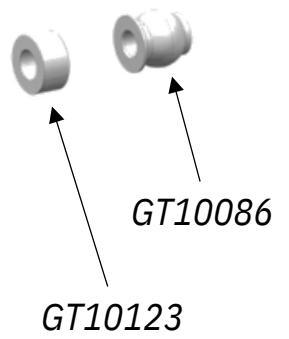
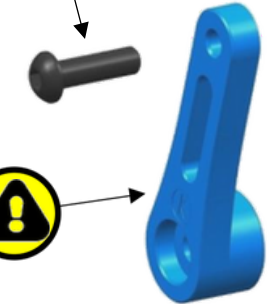
Steering Servo Linkages
Servo Linkage Pre-assembly



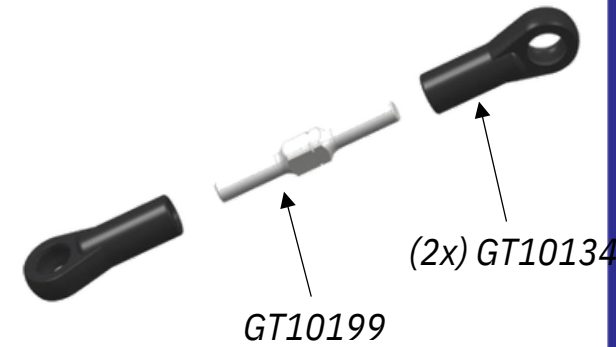
Thread lock  GT10222



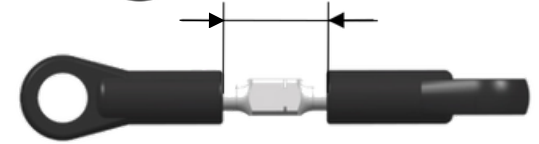
THE RECOMMENDED LENGTH FOR STEERING SERVO LEVER (NOT INCLUDED) IS 25mm



Thread lock  GT10140



 **DEFAULT SETUP**
Around 11.5mm



BAG 15

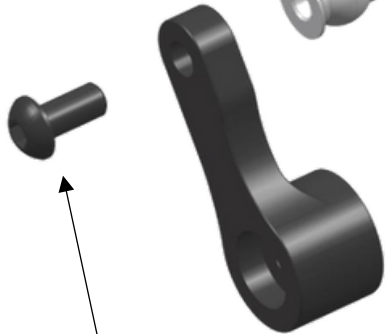
Throttle&Brake Servo Linkages – Step 0
Servo Linkages Pre-assembly



Select the lever that fits with our servo

GT10086

GT10086



GT10140

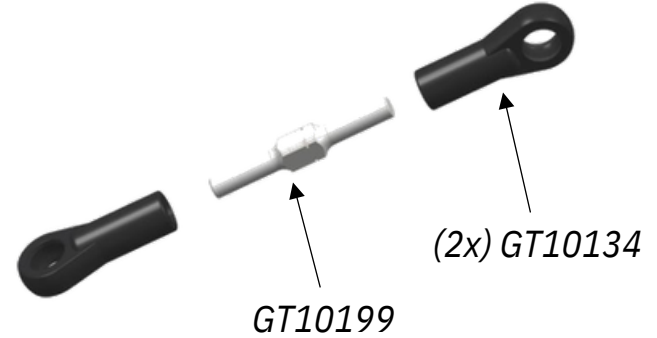
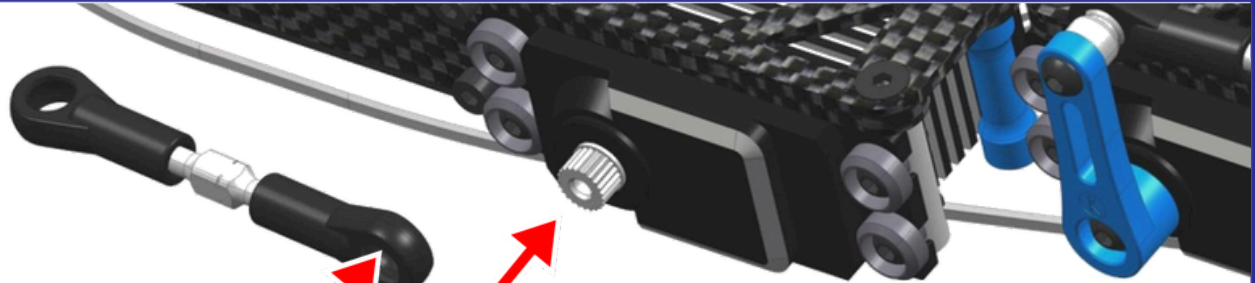


Thread lock

GT10140



Thread lock



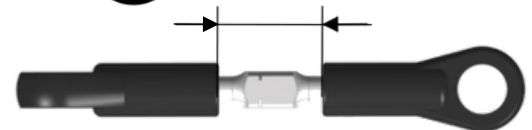
(2x) GT10134

GT10199



DEFAULT SETUP

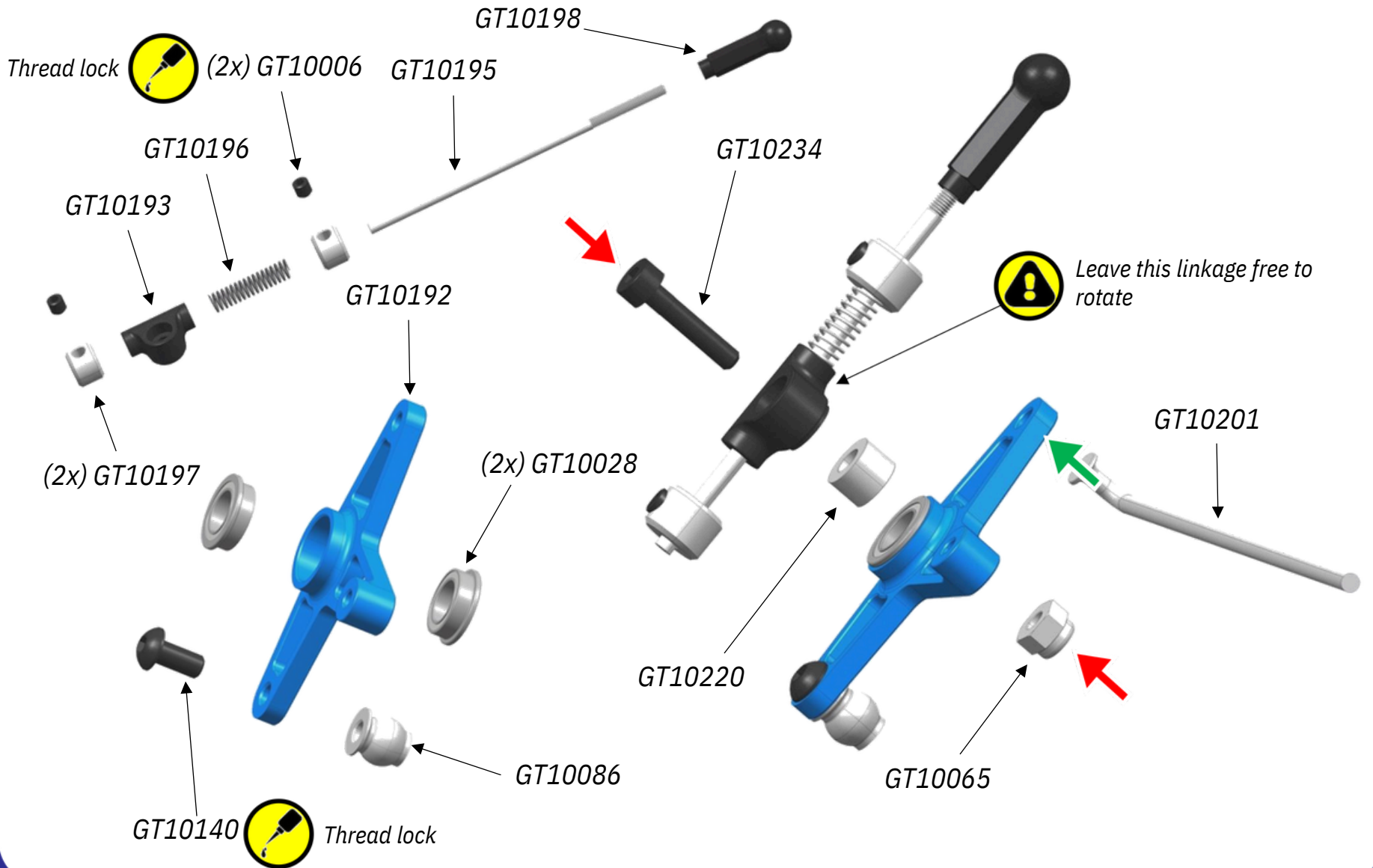
Around 12.0mm



BAG 15

Throttle&Brake Servo Linkages – Step 1

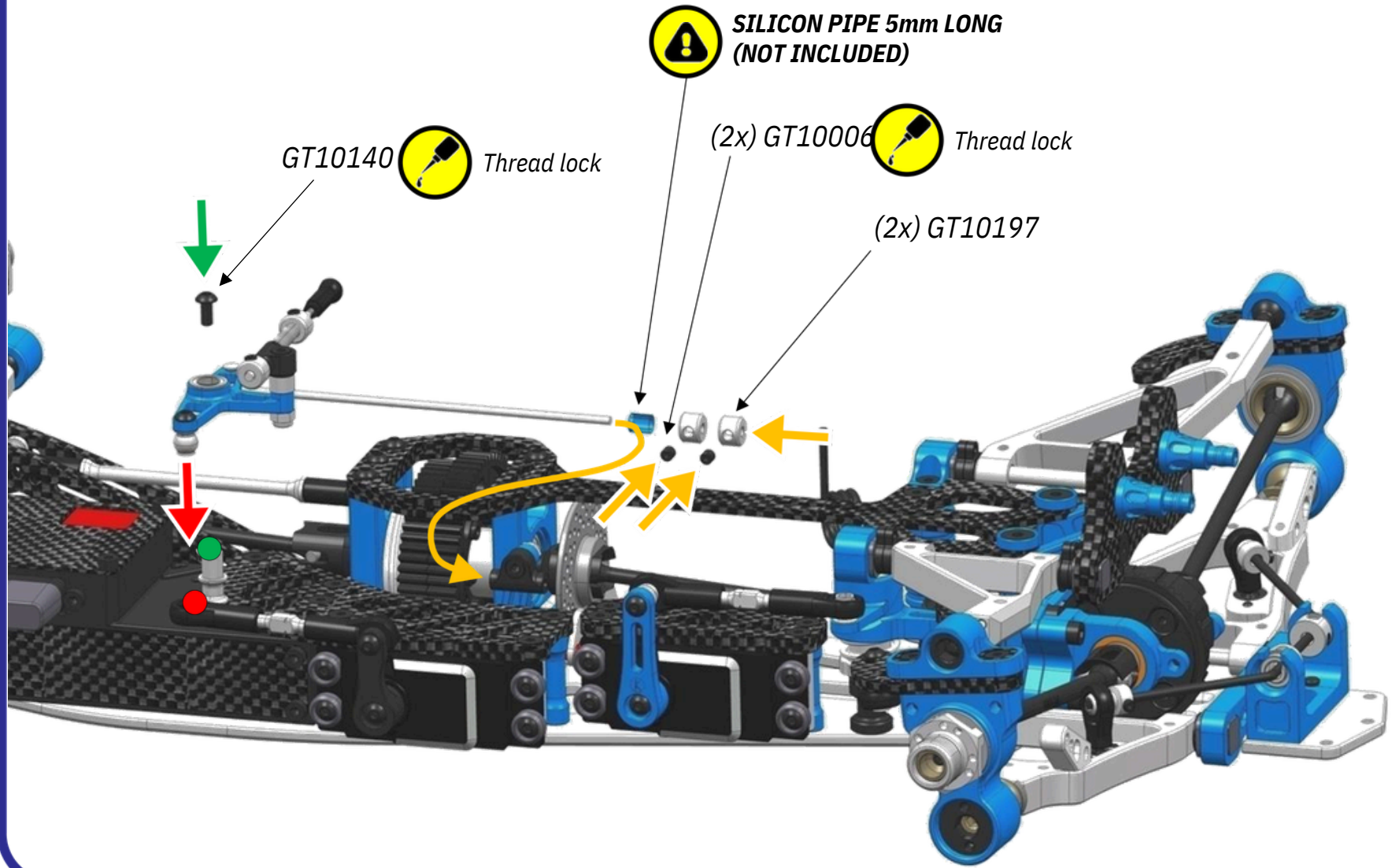
Servo Linkages Pre-assembly



BAG 15

Throttle&Brake Servo Linkages –Step 2

Servo Linkages Mounting



 **SILICON PIPE 5mm LONG
(NOT INCLUDED)**

GT10140  Thread lock

(2x) GT10006  Thread lock








(2x) GT10197






BAG 16


Parts included in the bag

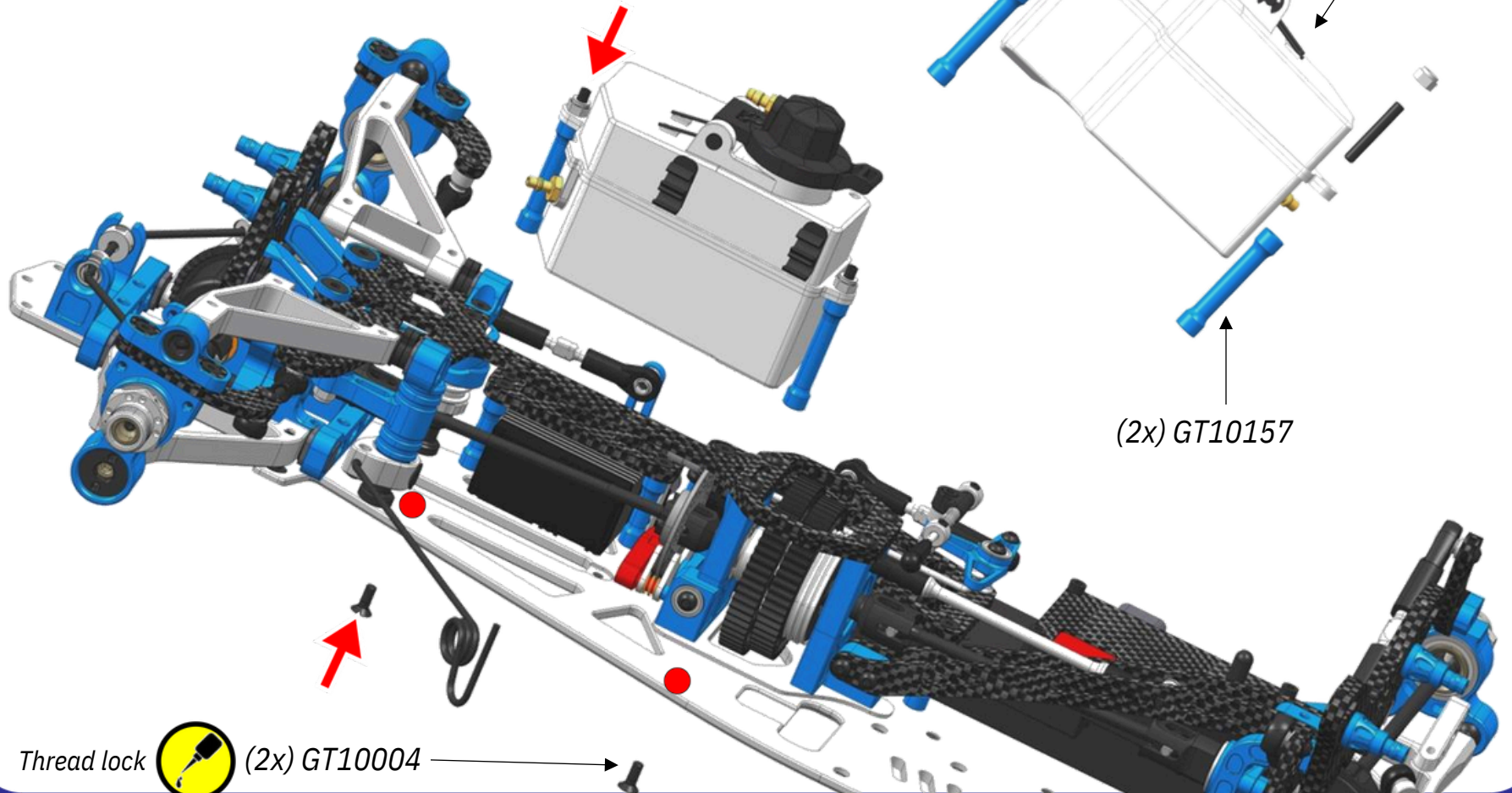


76


Code	Part Name		Qty
GT10156	Tank		1
GT10157	Column M3 34mm		2
GT10060	Rear Body Mount Holder		2
GT10061	Body Mount		2
GT10063	Body Post BodyScrew		2
GT10066	M6x40 (optional)		2
GT10237	Differential Protection		1
GT10228	Clips		2
GT10074	Self-locking Nut M3		2
GT10158	Grub Screw M3x20		2
GT10067	Socket Head Cap Screw M2x5		2

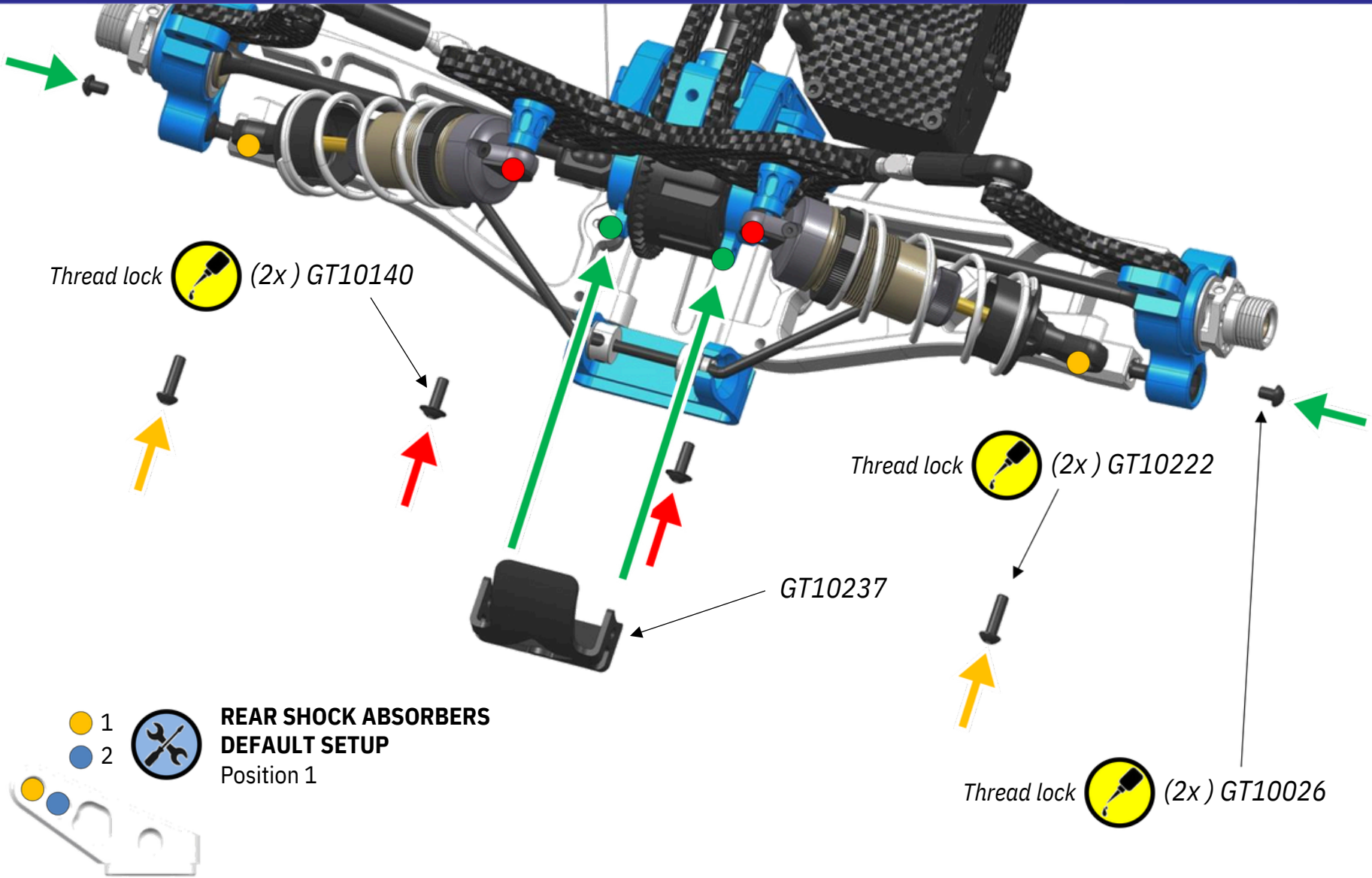
Code	Part Name		Qty
GT10004	Countersunk Head Cap Screw M3x8		6
GT10026	Button Head Cap Screw M3x4		2
GT10140	Button Head Cap Screw M3x6		4
GT10222	Button Head Cap Screw M3x10		4
GT10062	Button Head Cap Screw M4x12		2

(2x) GT10074
Thread lock  (2x) GT10158
GT10156



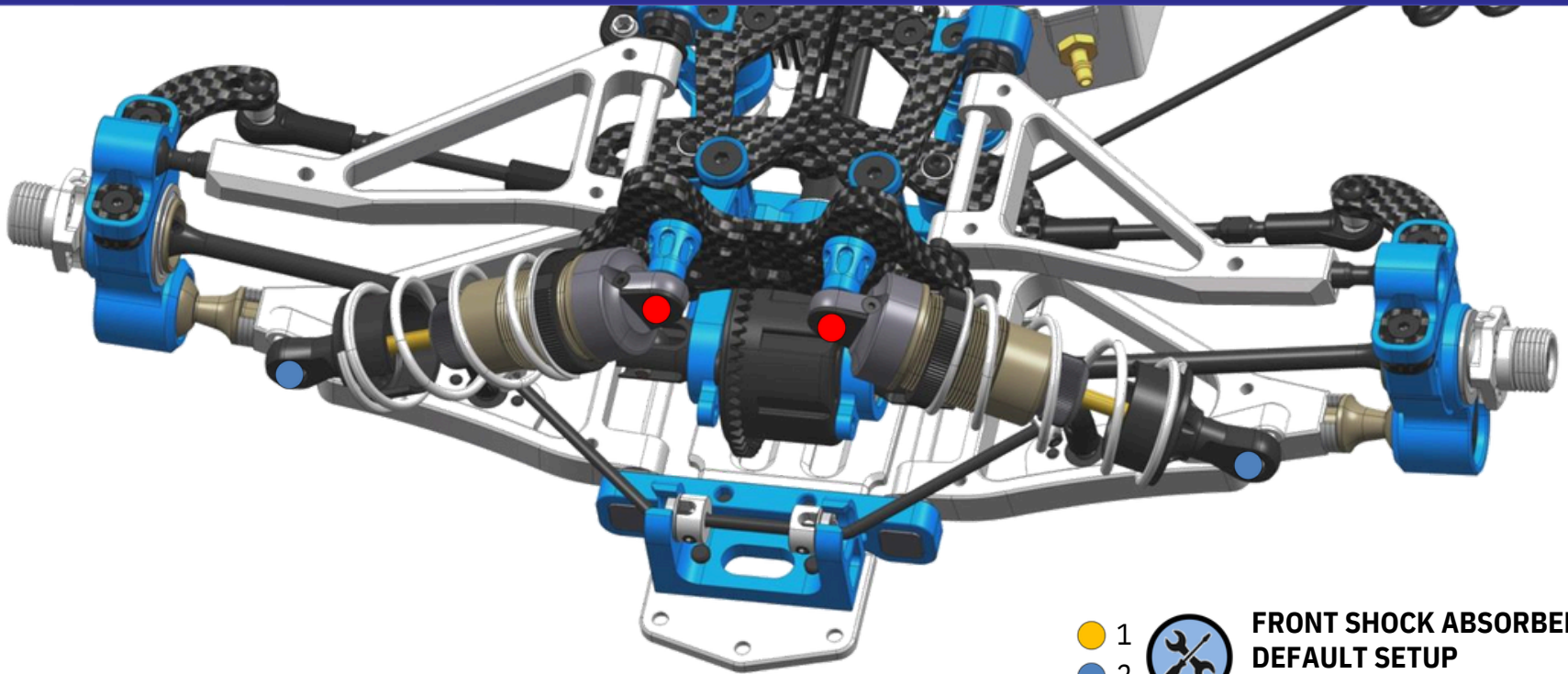
(2x) GT10157

Thread lock  (2x) GT10004



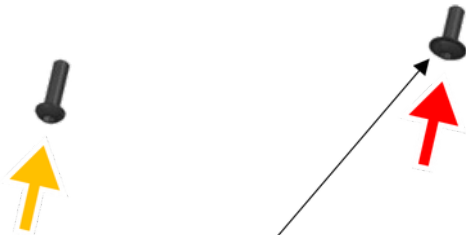
BAG 16

FrontShock Absorbers



- 1
 - 2
-

**FRONT SHOCK ABSORBERS
DEFAULT SETUP**
Position 2



Thread lock  (2x) GT10140

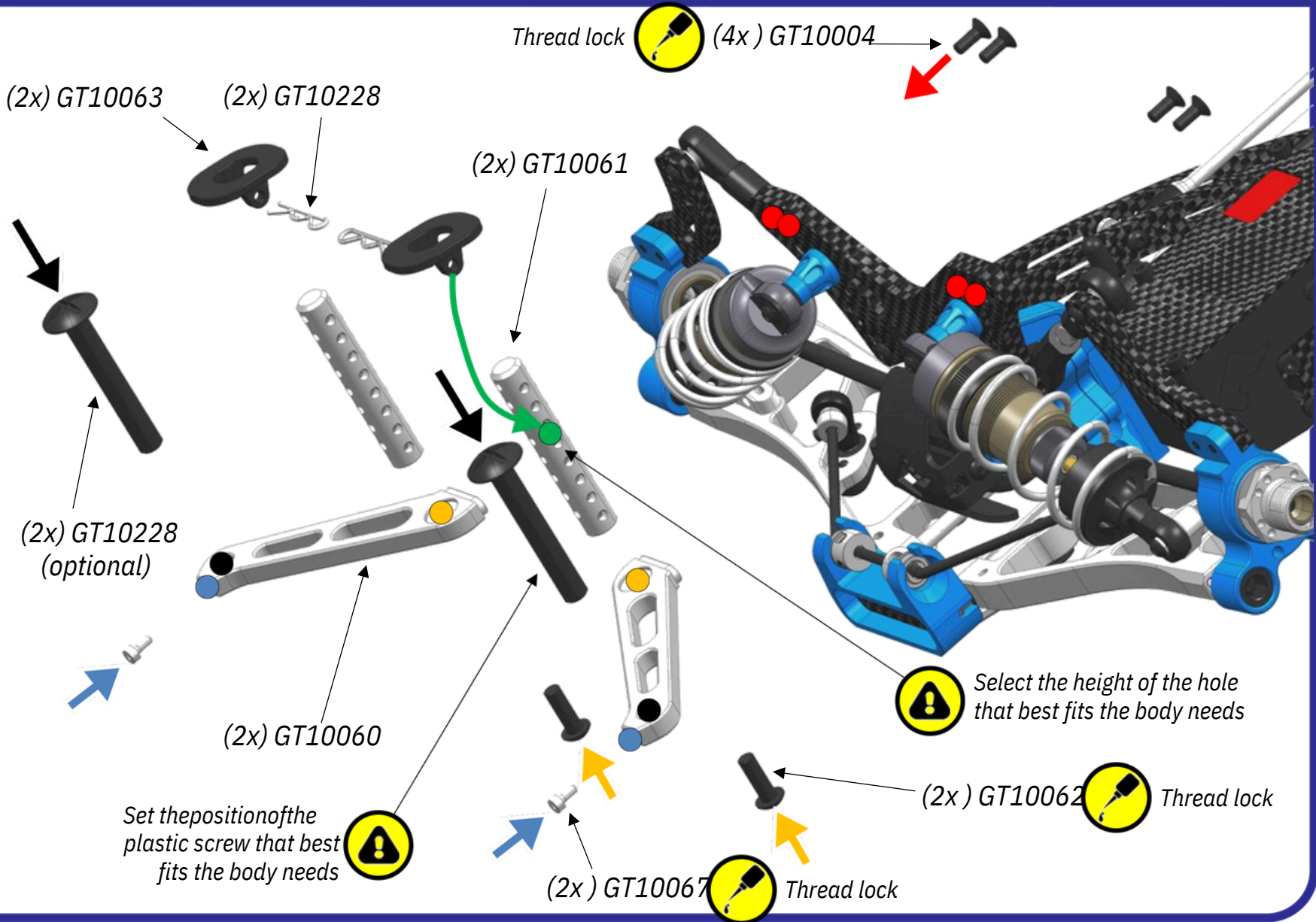


Thread lock  (2x) GT10222



BAG 16

Rear Body Mount








BAG 17

Parts included in the bag

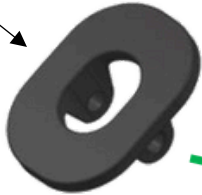


81

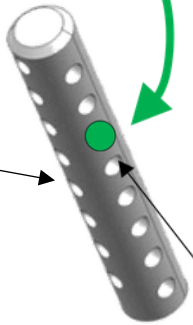
Code	Part Name		Qty
GT10103	Bumper Foam		1
GT10104	Bumper		1
GT10106	Bumper Column		2
GT10061	Body Mount		3
GT10063	Body Post		3
GT10102	Front Body Plate		1
GT10101	Front Bumper Cap		1
GT10107	Washer 3.2x9x0.8		1
GT10228	Clips		2
GT10065	Self-locking Nut M2.5		1
GT10074	Self-locking Nut M3		6

Code	Part Name		Qty
GT10034	Socket Head Cap Screw M2.5x14		1
GT10070	Countersunk Head Cap Screw M3x10		7
GT10062	Countersunk Head Cap Screw M3x12		2
GT10105	Countersunk Head Cap Screw M3x14		3
GT10062	Button Head Cap Screw M4x12		2

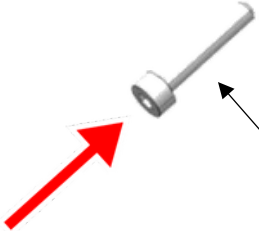
GT10063



GT10061



GT10228

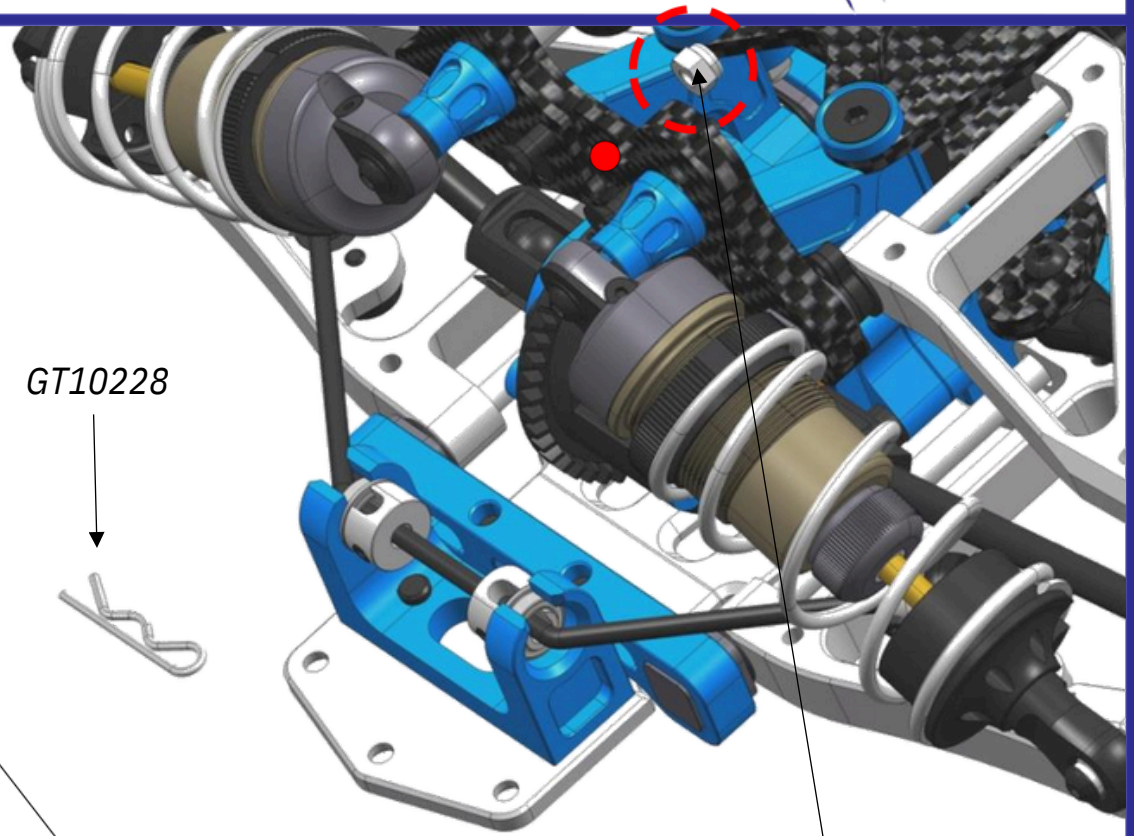


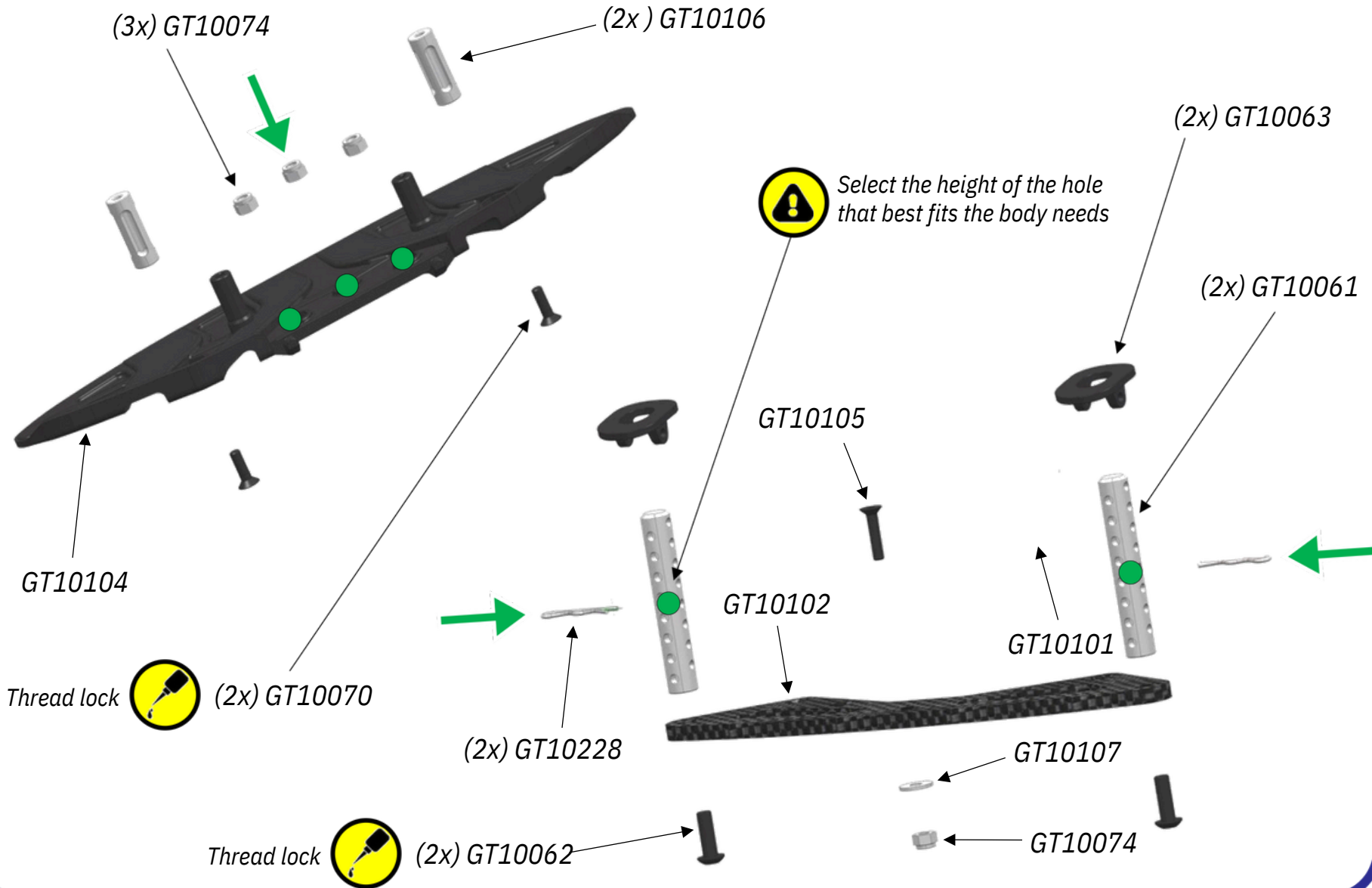
GT10034



Select the height of the hole that best fits the body needs

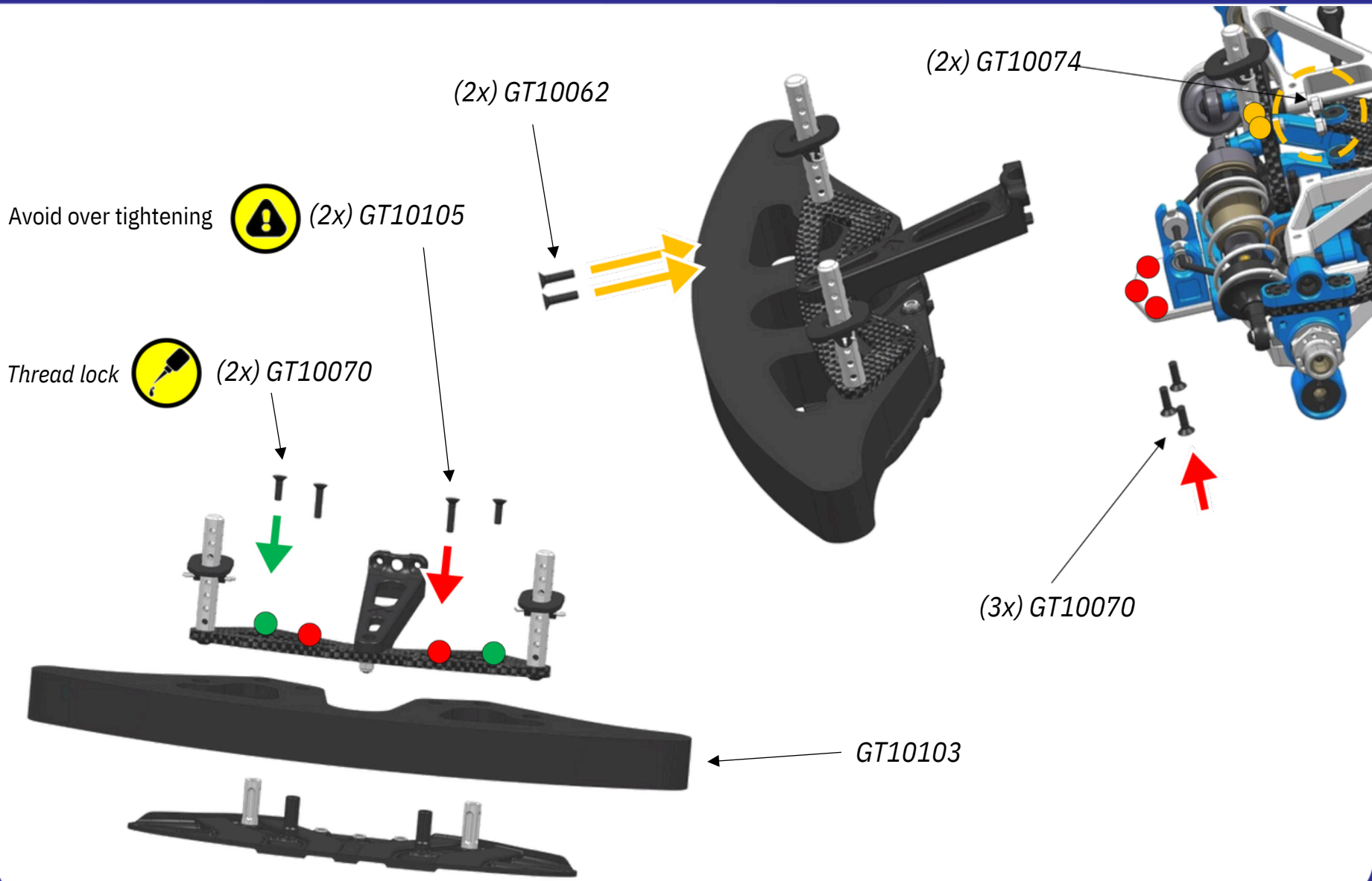
GT10065





BAG 17

Bumper-Step 2



BAG 18*Parts included in the bag*

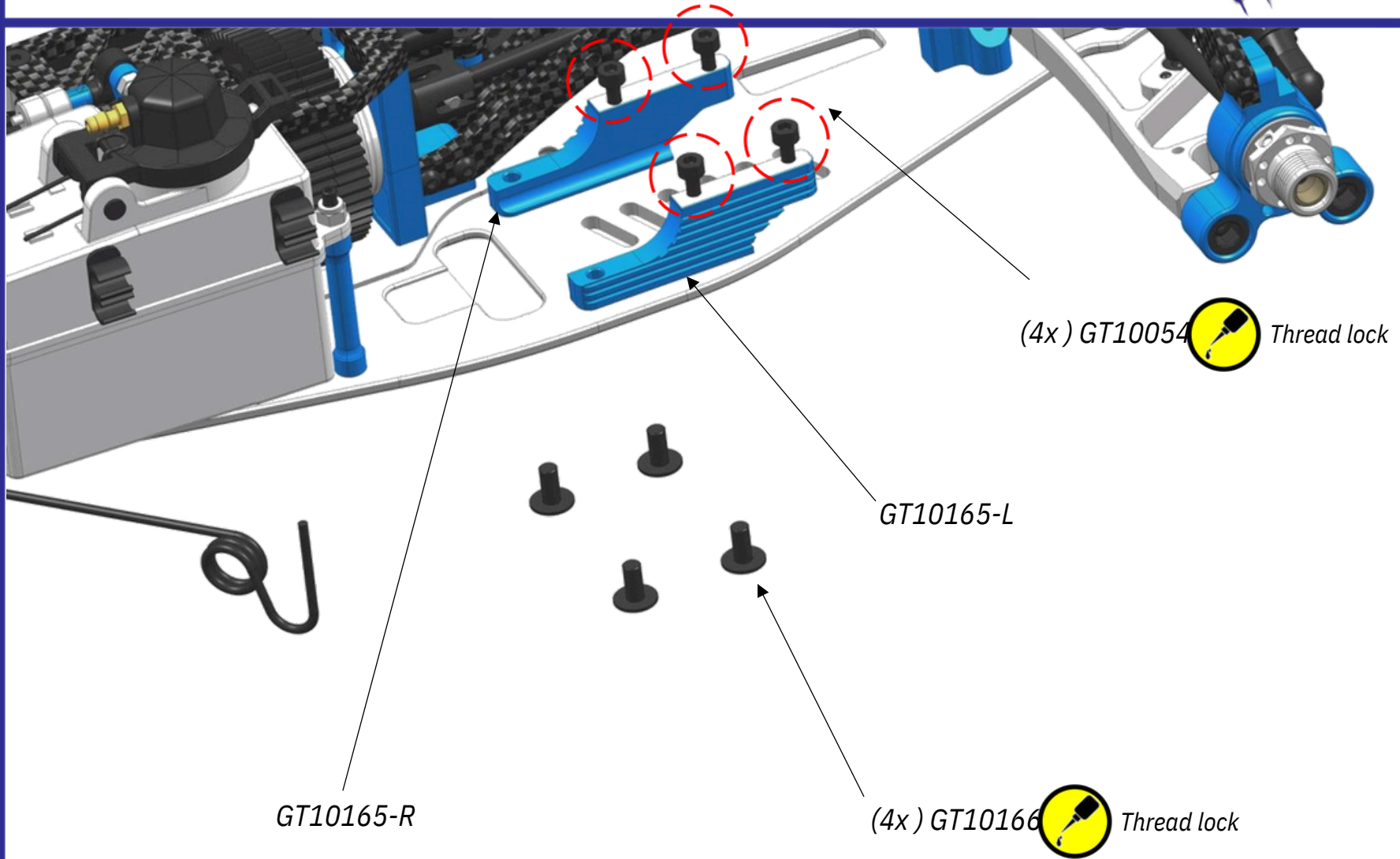
85

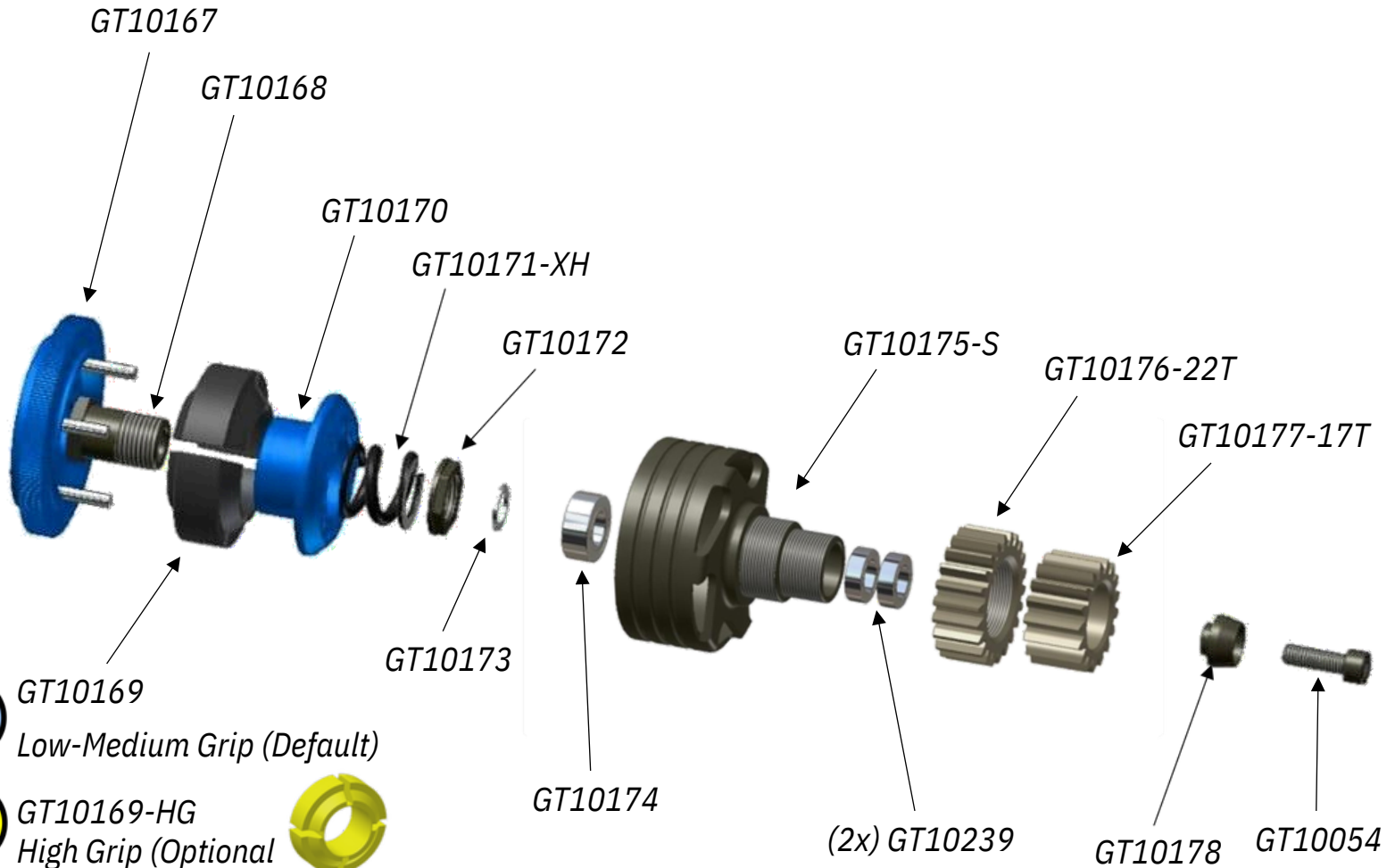
Code	Part Name	Qty
GT10165-L	Engine Mount Left 	1
GT10165-R	Engine Mount Right 	1
GT10054	Socket Head Cap Screw M3x10 	4
GT10166	Button Head Cap Screw Flange M4x8 	4
GT10128	Wheel Nut 	4
GT10167	Clutch flywheel	1
GT10168	Clutch flywheel Nut	1
GT10169	Clutch Shoes	1
GT10170	Clutch Disk	1
GT10171-XH	Clutch Spring Extra Hard	1
GT10172	Clutch Ring	1

Code	Part Name	Qty
GT10173	Shim 5X7X0.5	1
GT10174	Bearing 5x10x4	1
GT10239	Bearing 5x8x2.5	2
GT10175-S	Clutch Bell Short Gears	1
GT10176-22T	Pinion 22T	1
GT10177-17T	Pinion 17T	1
GT10178	Clutch Bushing	1
GT10054	Socket Head Cap Screw M3x10	1

BAG 18

Engine Mount





GT10169
Low-Medium Grip (Default)



GT10169-HG
High Grip (Optional
Not Included)

